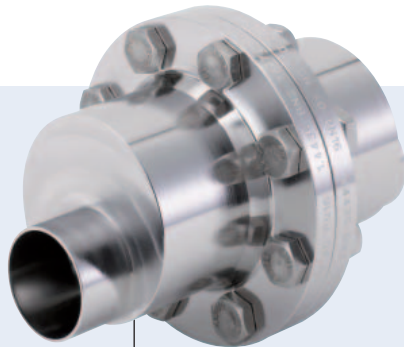
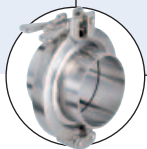


Eccentric sterile check valve with weld end

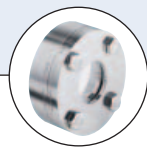


- All medium contact materials traceable, traceable seal on request
- Suitable for CIP and SIP (cleaning in process)
- Flow direction selectable
- Self draining in horizontal installations

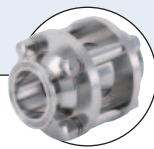
Hygienic Processing components...



Type BBS-05
Quick Connect



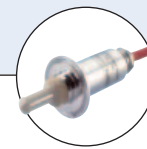
Type BBS-07
Block flange



Type BBS-03F
Linear flow indicator



Type 2103
Diaphragm valve



Type 8221
Conductivity sensor



Type 8650
Process automation

The sterile check valves are appropriate for fluids and steam sterilisation. The design is so created that the flow direction is selectable, which improves the cost and simplicity of installation significantly. The new standards in the biotechnology and pharmaceutical industry are met.

These valves are suitable for horizontal applications, and still fully drain.

The standard check valves have a opening pressure of 0,2 bar.

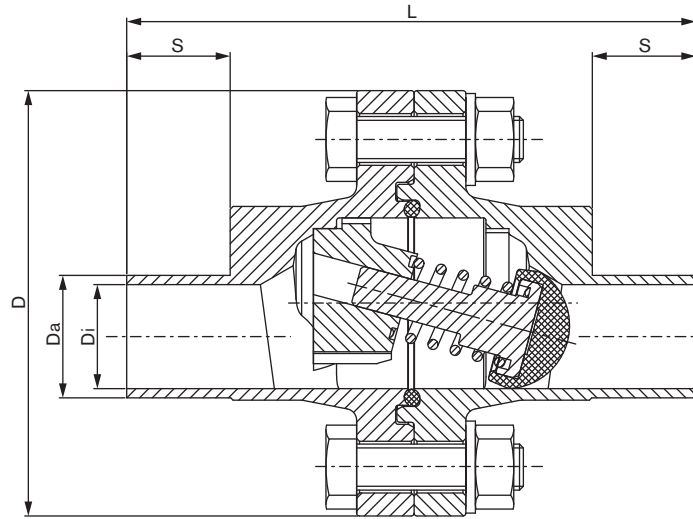
Technical data

Available standard sizes	ISO DN08 to DN100 SMS DN15 to DN100 BS-OD 1/4" to DN4" DIN DN08 to DN100 Customized on request
Material medium contact	Stainless steel 1.4435 BN2 (316L) Ball cap made of PTFE Spring: 1.4401 Special materials e.g. Hastelloy 2.4602, Titanium, 1.4539 etc. on request
Material medium separated	1.4305 or equivalent
Ball	1.4435 BN2 stainless steel with PTFE-Ball
Seals	O-Ring, EPDM, FEP, special sealing materials e.g. Silicone, pure PTFE etc. on request
Surface quality	Medium contacted surface < Ra 0,8µm, electro polished, finer surface on request
Operating temperature	EPDM seal material: -40 to 90 °C, temporary to 140 °C FEP seal material: -60 to 160 °C, temporary to 205 °C
Ambient temperature	-20 to +80 °C
Media	Liquids
Design, operating pressure	-1 to +16 Bar (operating pressure -1 to +8 Bar) Standard opening pressure 0.2 bar Higher or lower pressures on request
Applicable Standards	Pipe connection acc. to DIN 11866 ISO-Dimension Series B (ISO 4200) BS-OD-Dimension Series C (ASME BPE) DIN-Dimension Series A (DIN 11850) SMS-Dimension SMS 3008 Conformity assessment acc. to DGRL 97-25-EG
Certifications	Material 3.1, FDA, USP VI

Applications

- Biotechnology
- Pharmaceutical
- Chemical industry
- Dairy
- Food
- Cosmetic

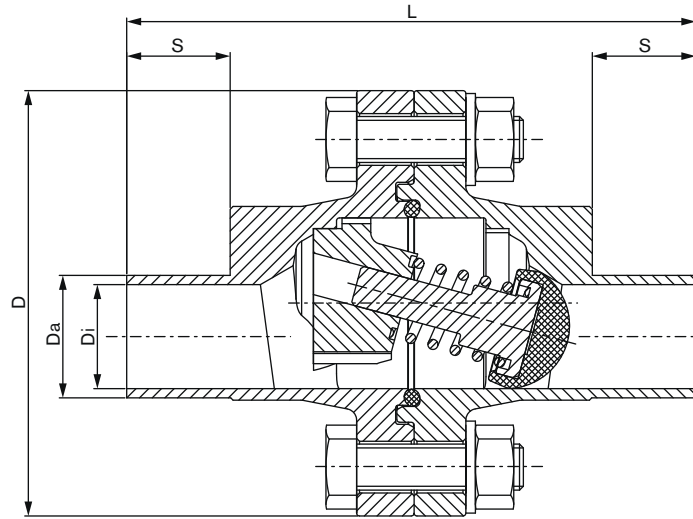
Dimension [mm] Ball check valve eccentric with weld end



Orifice	D [mm]	Da [mm]	Di [mm]	L [mm]	S [mm]	Item no. EPDM		Item no. FEP	
ISO Dimensions Ball check valve eccentric with weld end									
DN08	74,00	13,50	10,30	117,00	18,00	BBS-10-RU.W08.FEX.35.0	(on request)	BBS-10-RU.W08.FEX.35.3	(on request)
DN10	74,00	17,20	14,00	117,00	18,00	BBS-10-RU.W10.FEX.35.0	(on request)	BBS-10-RU.W10.FEX.35.3	(on request)
DN15	74,00	21,30	18,10	99,00	18,00	BBS-10-RU.W15.FEX.35.0	(on request)	BBS-10-RU.W15.FEX.35.3	(on request)
DN20	88,00	26,90	23,70	146,00	25,00	BBS-10-RU.W20.FEX.35.0	(on request)	BBS-10-RU.W20.FEX.35.3	(742 970)
DN25	88,00	33,70	29,70	127,00	25,00	BBS-10-RU.W25.FEX.35.0	(on request)	BBS-10-RU.W25.FEX.35.3	(736 422)
DN32	125,00	42,40	38,40	187,00	25,00	BBS-10-RU.W32.FEX.35.0	(on request)	BBS-10-RU.W32.FEX.35.3	(on request)
DN40	137,00	48,30	44,30	160,00	25,00	BBS-10-RU.W40.FEX.35.0	(on request)	BBS-10-RU.W40.FEX.35.3	(736 458)
DN50	168,00	60,30	56,30	205,00	25,00	BBS-10-RU.W50.FEX.35.0	(on request)	BBS-10-RU.W50.FEX.35.3	(on request)
DN65	168,00	76,10	72,10	199,00	25,00	BBS-10-RU.W65.FEX.35.0	(on request)	BBS-10-RU.W65.FEX.35.3	(on request)
DN80	194,00	88,90	84,30	216,00	25,00	BBS-10-RU.W80.FEX.35.0	(on request)	BBS-10-RU.W80.FEX.35.3	(on request)
DN100	194,00	114,30	109,70	216,00	25,00	BBS-10-RU.W100.FEX.35.0	(on request)	BBS-10-RU.W100.FEX.35.3	(on request)

Orifice	D [mm]	Da [mm]	Di [mm]	L [mm]	S [mm]	Item no. EPDM		Item no. FEP	
SMS Dimensions Ball check valve eccentric with weld end									
DN06	74,00	8,00	6,00	117,00	18,00	BBS-10-RU.V06.FEX.35.0	(on request)	BBS-10-RU.V06.FEX.35.3	(on request)
DN08	74,00	10,00	8,00	117,00	18,00	BBS-10-RU.V08.FEX.35.0	(on request)	BBS-10-RU.V08.FEX.35.3	(on request)
DN10	74,00	12,00	10,00	117,00	18,00	BBS-10-RU.V10.FEX.35.0	(on request)	BBS-10-RU.V10.FEX.35.3	(on request)
DN15	74,00	18,00	16,00	99,00	18,00	BBS-10-RU.J15.FEX.35.0	(on request)	BBS-10-RU.J15.FEX.35.3	(on request)
DN20	88,00	22,00	20,00	146,00	25,00	BBS-10-RU.J20.FEX.35.0	(on request)	BBS-10-RU.J20.FEX.35.3	(on request)
DN25	88,00	25,00	22,60	143,00	25,00	BBS-10-RU.J25.FEX.35.0	(on request)	BBS-10-RU.J25.FEX.35.3	(on request)
DN32	125,00	35,00	32,60	187,00	25,00	BBS-10-RU.J32.FEX.35.0	(on request)	BBS-10-RU.J32.FEX.35.3	(on request)
DN40	125,00	38,00	35,60	187,00	25,00	BBS-10-RU.J40.FEX.35.0	(on request)	BBS-10-RU.J40.FEX.35.3	(on request)
DN50	137,00	51,00	48,60	180,00	25,00	BBS-10-RU.J50.FEX.35.0	(on request)	BBS-10-RU.J50.FEX.35.3	(on request)
DN65	168,00	63,50	60,30	199,00	25,00	BBS-10-RU.J65.FEX.35.0	(on request)	BBS-10-RU.J65.FEX.35.3	(on request)
DN80	168,00	76,10	72,90	216,00	25,00	BBS-10-RU.J80.FEX.35.0	(on request)	BBS-10-RU.J80.FEX.35.3	(on request)

Dimension [mm] Ball check valve eccentric with weld end



Orifice	D [mm]	Da [mm]	Di [mm]	L [mm]	S [mm]	Item no. EPDM	Item no. FEP
BS-OD Dimensions Ball check valve eccentric with weld end							
DN1/4"	74,00	6,35	4,57	117,00	18,00	BBS-10-RU.Y02.FEX.35.0 (on request)	BBS-10-RU.Y02.FEX.35.3 (on request)
DN3/8"	74,00	9,53	7,75	117,00	18,00	BBS-10-RU.Y03.FEX.35.0 (on request)	BBS-10-RU.Y03.FEX.35.3 (on request)
DN1/2"	74,00	12,70	9,40	117,00	18,00	BBS-10-RU.Y05.FEX.35.0 (on request)	BBS-10-RU.Y05.FEX.35.3 (on request)
DN3/4"	74,00	19,05	15,75	117,00	18,00	BBS-10-RU.Y07.FEX.35.0 (on request)	BBS-10-RU.Y07.FEX.35.3 (on request)
DN1"	88,00	25,40	22,10	155,00	20,00	BBS-10-RU.Y10.FEX.35.0 (on request)	BBS-10-RU.Y10.FEX.35.3 (on request)
DN1,1/2"	125,00	38,10	34,80	187,00	25,00	BBS-10-RU.Y15.FEX.35.0 (on request)	BBS-10-RU.Y15.FEX.35.3 (on request)
DN2"	137,00	50,80	47,50	188,00	25,00	BBS-10-RU.Y20.FEX.35.0 (on request)	BBS-10-RU.Y20.FEX.35.3 (on request)
DN2,1/2"	168,00	63,50	60,20	200,00	25,00	BBS-10-RU.Y25.FEX.35.0 (on request)	BBS-10-RU.Y25.FEX.35.3 (on request)
DN3"	168,00	76,20	72,90	199,00	25,00	BBS-10-RU.Y30.FEX.35.0 (on request)	BBS-10-RU.Y30.FEX.35.3 (on request)
DN4"	260,00	101,60	97,38	246,00	30,00	BBS-10-RU.Y40.FEX.35.0 (on request)	BBS-10-RU.Y40.FEX.35.3 (on request)
DN6"	260,00	152,40	149,98	288,00	40,00	BBS-10-RU.Y60.FEX.35.0 (on request)	BBS-10-RU.Y60.FEX.35.3 (on request)

Orifice	D [mm]	Da [mm]	Di [mm]	L [mm]	S [mm]	Item no. EPDM	Item no. FEP
DIN Dimensions Ball check valve eccentric with weld end							
DN08	74,00	10,00	8,00	117,00	18,00	BBS-10-RU.V08.FEX.35.0 (on request)	BBS-10-RU.V08.FEX.35.3 (on request)
DN10	74,00	12,00	10,00	117,00	18,00	BBS-10-RU.V10.FEX.35.0 (on request)	BBS-10-RU.V10.FEX.35.3 (on request)
DN10	74,00	13,00	10,00	117,00	18,00	BBS-10-RU.V10.FEX.35.0-1 (on request)	BBS-10-RU.V10.FEX.35.3-1 (on request)
DN15	74,00	19,00	16,00	99,00	18,00	BBS-10-RU.V15.FEX.35.0 (on request)	BBS-10-RU.V15.FEX.35.3 (on request)
DN20	88,00	23,00	20,00	146,00	25,00	BBS-10-RU.V20.FEX.35.0 (on request)	BBS-10-RU.V20.FEX.35.3 (on request)
DN25	88,00	29,00	26,00	143,00	25,00	BBS-10-RU.V25.FEX.35.0 (on request)	BBS-10-RU.V25.FEX.35.3 (on request)
DN32	125,00	35,00	32,00	187,00	25,00	BBS-10-RU.V32.FEX.35.0 (on request)	BBS-10-RU.V32.FEX.35.3 (on request)
DN40	125,00	41,00	38,00	187,00	25,00	BBS-10-RU.V40.FEX.35.0 (on request)	BBS-10-RU.V40.FEX.35.3 (on request)
DN50	137,00	53,00	50,00	180,00	25,00	BBS-10-RU.V50.FEX.35.0 (on request)	BBS-10-RU.V50.FEX.35.3 (on request)
DN65	168,00	70,00	66,00	199,00	25,00	BBS-10-RU.V65.FEX.35.0 (on request)	BBS-10-RU.V65.FEX.35.3 (on request)
DN80	194,00	85,00	81,00	216,00	25,00	BBS-10-RU.V80.FEX.35.0 (on request)	BBS-10-RU.V80.FEX.35.3 (on request)
DN100	260,00	104,00	100,00	246,00	30,00	BBS-10-RU.V100.FEX.35.0 (on request)	BBS-10-RU.V100.FEX.35.3 (on request)

To find your nearest Bürkert facility, click on the orange box → www.burkert.com

In case of special application conditions, please consult for advice.

Subject to alterations
© Christian Bürkert GmbH & Co. KG

1401/3_EU-en_00895171