



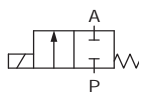
2/2 and 3/2-way Rocker Solenoid Valve for analytical applications

- 16 mm width
- Orifice DN 2.0 - DN 3.0
with pressure range vacuum to 5 bar
- Medium separation, for aggressive fluids
- High back-pressure tightness
- Direct acting

Type 6626 combines the reliable and successful Rocker principle with a highly innovative new actuator. The TwinPower concept of this actuator reduces the size greatly without loss in performance. Hence the 16 mm wide medium isolated rocker valve, 6626, with a 3.0 mm orifice and a pressure resistance of 2 bar, provides the same performance as a traditional 22 mm valve. In addition, the integrated power reduction decreases the energy consumption by 75%. In combination with other design features the heat transfer into the medium can be reduced to a minimum.

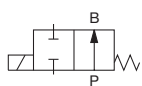
In the design of the 6626, the main benefits lie in its excellent cleanability and a high reliability. By using high performance materials the 6626 suits the handling of aggressive medium perfectly. The valve is available in a 2-way and 3-way version.

Circuit function A



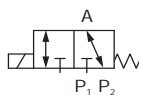
2/2-way valve,
direct acting,
normally closed

Circuit function B



2/2-way valve,
direct acting,
normally open

Circuit function T



3/2-way valve,
universal function

Technical Data	
Orifice	DN 2.0 mm, DN 3.0 mm
Body material	PEEK, PPS
Seal material	FFKM, FKM, EPDM
Medium	Resistant to neutral and aggressive gases and liquids acc. to our chemical resistance chart
Medium temperature	
FFKM	+15 °C to +50 °C
FKM	-10 °C to +50 °C
EPDM DN 2.0	-10 °C to +50 °C
EPDM DN 3.0	+5 °C to +50 °C
Ambient temperature	
FFKM	+15 °C to +55 °C
FKM	-10 °C to +55 °C
EPDM DN 2.0	-10 °C to +55 °C
FFKM DN 3.0	+5 °C to +55 °C
Internal volume	<470 µl
Port connection	Sub-base, UNF, G 1/8, Tube
Electrical connection	Flying leads, Rectangular plug
Power supply	24 V ¹⁾ , 12 V ¹⁾
Voltage tolerance	24V ±10% ²⁾ 12V +10% / -5% ²⁾
Nominal power consumption	13.6W inrush power 3.4W nominal holding power (internal power reduction)
Duty cycle	100% continuous rating
Installation	As required
Protection class	IP 40
Switching frequency	max. 2 Hz ³⁾
Response times³⁾	
opening	ca. 10 ms (Pressure rise 0-10%)
closing	ca. 15 ms (Pressure drop 100-90%)

¹⁾ Battery voltage, observe polarity (red= +, black = -)

²⁾ Max. allowed ripple

³⁾ with ambient temperature of 20° C

Ordering chart

Circuit function	Orifice [mm]	Port connection	Kv value water [m ³ /h] ¹⁾	Pressure range [bar] ²⁾	Max. pressure difference [bar]	Seal material	Body material	Electrical connection	Voltage/Frequency [V/Hz]	Item no.			
A 2/2-way valve, direct acting, NC	2.0	Sub-base	0.10	vac - 3 (vac - 5)	3 (5)	EPDM	PPS	Rectangular Plug ³⁾	12	247 769			
										24	247 771		
		UNF		vac - 3 (vac - 3)	3 (3)	FFKM	PEEK	Flying Leads	24	12	247 775		
				vac - 3 (vac - 4)	3 (4)	FKM	PPS			247 786			
				vac - 3 (vac - 3)	3 (3)	FFKM	PEEK			251 709			
	G 1/8	vac - 3 (vac - 4)	3 (4)	FKM	Rectangular Plug ³⁾	24	252 770						
		vac - 3 (vac - 3)	3 (3)	FFKM			Flying Leads	234 278					
	B 2/2-way valve, direct acting, normally open	3.0	Sub-base	0.19			EPDM	PPS	Rectangular Plug ³⁾	24	247 797		
													238 530
UNF			vac - 2 (vac - 2)		2 (2)	FFKM	PEEK	Flying Leads	24	247 819			
			vac - 2 (vac - 2)		2 (2)	FFKM				251 711			
			vac - 2 (vac - 2)		2 (2)	FKM				252 771			
Tube		vac - 2 (vac - 2)	2 (2)	FKM	Rectangular Plug ³⁾	24	252 772						
							Flying Leads	247 789					
							Rectangular Plug ³⁾	228 642					
											247 810		
T 3/2-way valve, direct acting, Universal version		2.0	Sub-base	0.10	vac - 3 (vac - 5)	3 (5)	EPDM	PPS	Rectangular Plug ³⁾	24	247 826		
												12	247 829
	UNF	vac - 3 (vac - 3)	3 (3)		FFKM	PEEK	Flying Leads	24	247 841				
		vac - 3 (vac - 4)	3 (4)		FKM				PPS	Rectangular Plug ³⁾	12	247 838	
		vac - 3 (vac - 3)	3 (3)		FFKM				PEEK	Flying Leads	24	251 713	
vac - 3 (vac - 3)	3 (3)	FFKM	252 774										
vac - 3 (vac - 4)	3 (4)	FKM	Rectangular Plug ³⁾	252 775									
T 3/2-way valve, direct acting, Universal version	3.0	Sub-base	0.19			EPDM	PPS	Rectangular Plug ³⁾	12	247 851			
												247 853	
		UNF		vac - 2 (vac - 2)	2 (2)	FFKM	PEEK	Flying Leads	24	234 371			
				vac - 2 (vac - 2)	2 (2)	FFKM				Rectangular Plug ³⁾	238 531		
				vac - 2 (vac - 2)	2 (2)	FKM				PPS	Rectangular Plug ³⁾	12	247 874
	G 1/8	vac - 2 (vac - 2)	2 (2)	EPDM	PEEK	Flying Leads	24	247 877					
		vac - 2 (vac - 2)	2 (2)	FFKM				Rectangular Plug ³⁾	252 776				
		vac - 2 (vac - 2)	2 (2)	FKM				Flying Leads	251 715				
	Tube	vac - 2 (vac - 2)	2 (2)	FKM	PEEK	Rectangular Plug ³⁾	24	247 872					
								Flying Leads	247 844				
								Rectangular Plug ³⁾	247 859				
										247 858			
										247 869			

¹⁾ Measured at +20 °C, 1 bar pressure at value inlet and free outlet.




²⁾ Measured as overpressure with respect to atmospheric pressure.

³⁾ Please order the rectangular plug separately. For selection possibilities see accessories.

Note: () Values in brackets are only for gas mediums.

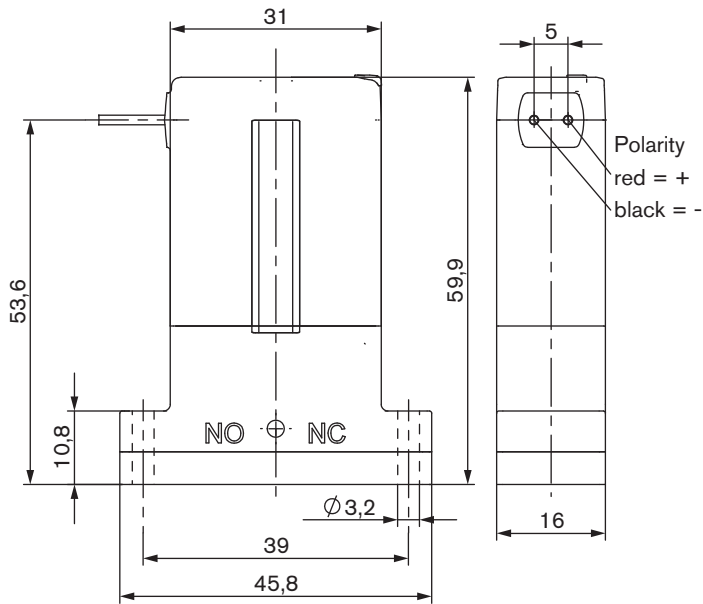
Ordering chart accessories

Rectangular plug Type 2505

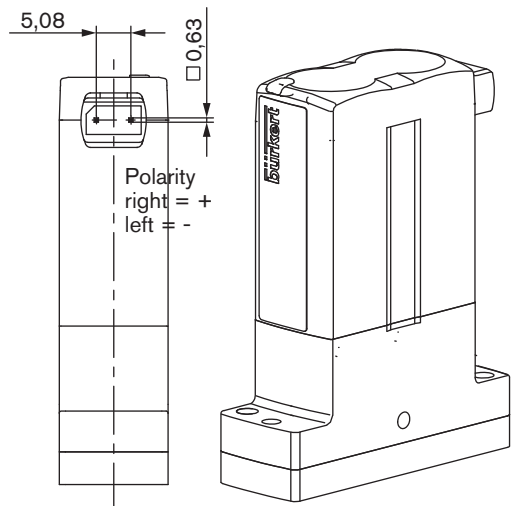
	Accessories	Item no.
	Rectangular plug with 3 m cable	133 486
	Rectangular plug with 300 mm flying leads	644 068
	Rectangular plug, single contact for individual mounting	644 067

Dimensions [mm]

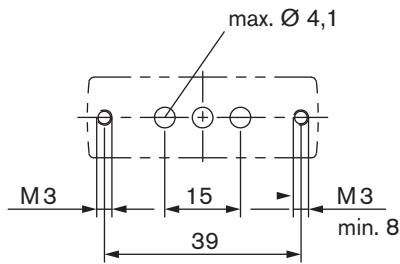
Electrical connections: flying leads



Electrical connections: rectangular plug

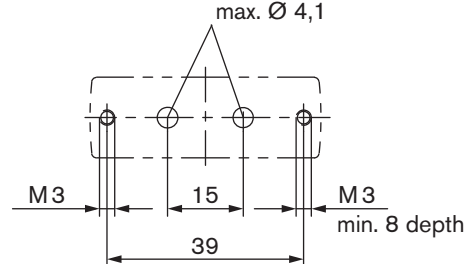


Sub-base body for 3/2-way connection

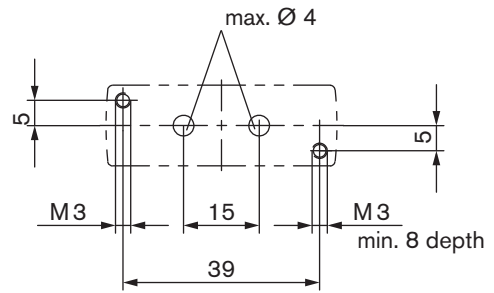
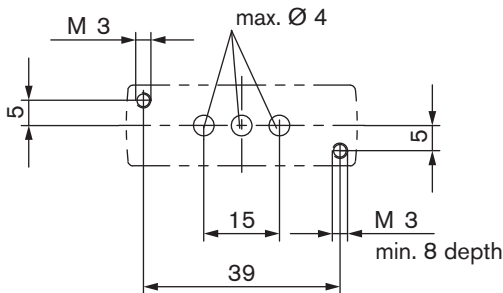


preferred threaded connection

Sub-base body for 2/2-way connection

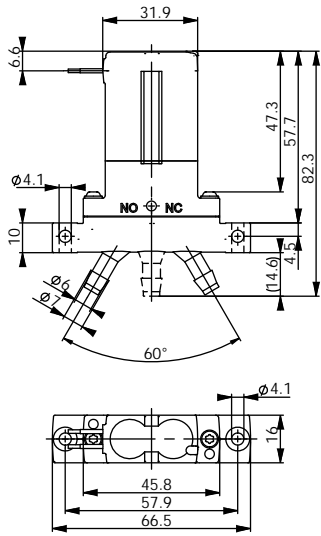


further possible threaded connection

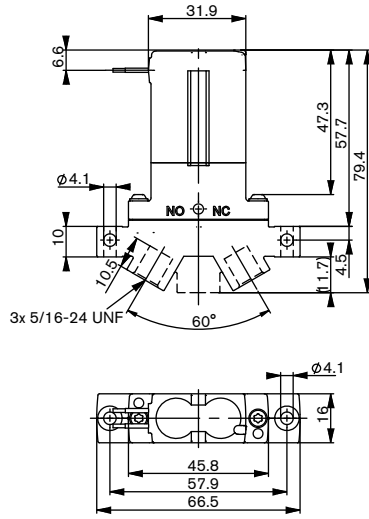


Dimensions [mm]

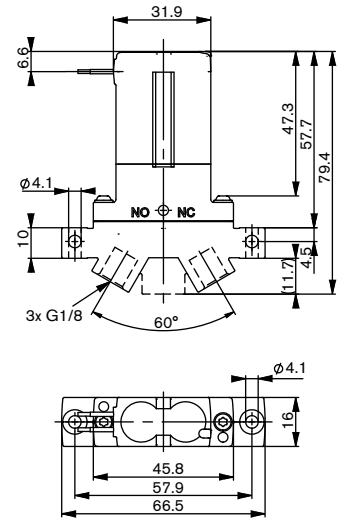
Body, tube connector



Body, UNF 5/16" -24



Body, G1/8



Application examples

Tube 2-way



UNF 2-way



Tube 3-way



UNF 3-way



To find your nearest Bürkert facility, click on the orange box →

www.buerkert.com

In case of special application conditions, please consult for advice.

Subject to alterations © Christian Bürkert GmbH & Co. KG

1303/3_EU-en_00895195