

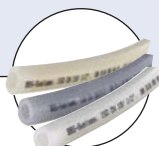
Sterile orbital weld end threaded connection



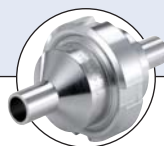
Hygienic Processing components.....



Type BBS-3F
Flow indicator



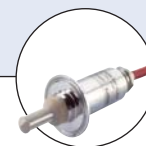
Type BBS-04
Silicone hose



Type BBS-10
Check valve



Type 2103
Diaphragm valve



Type 8221
Conductivity sensor



Type 8650
Process automation

- Optimum design according to recommendation of the ASME BPE directives
- Guaranteed crevice free
- All medium contact materials traceable, traceable seal on request
- Component of the BBS modular system

The BBS sterile orbital threaded connection is designed to give a controlled compression of the O-ring thus guaranteeing a safe, secure and crevice free connection.

This means optimum cleaning performance with faster cleaning times, reduced consumption of cleaning media, and significantly less waste because residues are simply not possible with this solution.

Using these connections combines peace of mind for process security with flexibility and simplicity. Standard O-rings are used making material selection simple as well as enhancing stocking efficiency.

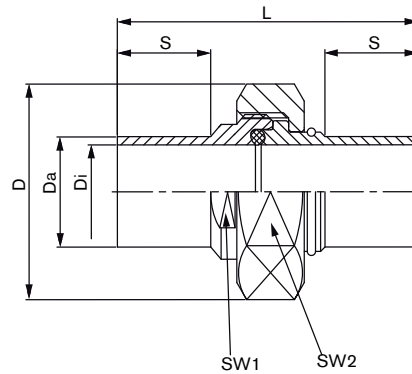
This is only one product employing the BBS design concept; please see our complete range of products for use across wide scope of applications where sterile conditions are of utmost priority.

Applications

- Biotechnology
- Pharmaceutical
- Chemical industry
- Dairy
- Food
- Cosmetic

Technical data	
Available standard sizes	ISO DN06 to DN50 SMS DN06 to DN50 BS-OD DN1/4" to DN2" DIN DN04 to DN50 Customized on request
Material medium contact	Stainless steel 1.4435 BN2 (316L) Special materials e.g. Hastelloy 2.4602, Titanium, 1.4539 etc. on request
Material medium separated	1.4305 or equivalent
Sterile Quick Connect	Metric fine thread
Seals	O-Ring, EPDM, FEP, Special sealing materials e.g. Silicone, pure PTFE etc. on request
Surface quality	Medium contacted surface < Ra 0,8µm, electro polished, finer surface on request
Operating temperature	EPDM seal material: -40°C to 90°C, temporary to 140°C FEP seal material: -60°C to 160°C, temporary to 205°C
Ambient temperature	-20 to +80 °C
Media	Gases or liquids
Operating pressure	-1 to +16 bar (in dependence on the temperature)
Applicable standards	Pipe connection acc. to DIN 11866 ISO dimensions series B (ISO 4200) BS-OD dimensions series C (ASME BPE) DIN dimensions series A (DIN 11850) SMS dimensions SMS 3008
Certifications	Material 3.1, FDA, USP VI

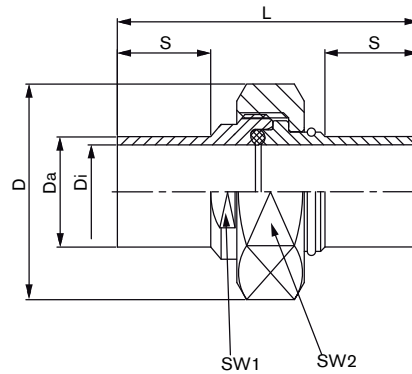
Dimensions [mm] Sterile orbital weld end threaded connection



Orifice	D [mm]	Da [mm]	Di [mm]	L [mm]	S [mm]	SW1 [mm]	SW1 [mm]	Item no. EPDM	
ISO Dimensions Sterile orbital weld end threaded connection									
DN06	24.50	10.20	7.00	56.50	18.00	14.00	19.00	BBS-03-AD.N06.N00.35.0	(732 461)
DN08	31.20	13.50	10.30	58.00	18.00	17.00	27.00	BBS-03-AD.N08.N00.35.0	(732 468)
DN10	36.50	17.20	14.00	58.00	18.00	21.00	32.00	BBS-03-AD.N10.N00.35.0	(732 486)
DN15	41.60	21.30	18.10	58.00	18.00	22.00	36.00	BBS-03-AD.N15.N00.35.0	(732 504)
DN20	48.30	26.90	23.70	58.00	18.00	N/A	42.00 *	BBS-03-AD.N20.N00.35.0	(732 522)
DN25	52.00	33.70	29.70	60.00	18.00	N/A	46.00 *	BBS-03-AD.N25.N00.35.0	(732 532)
DN32	62.00	42.40	38.40	65.00	18.00	N/A	56.00 *	BBS-03-AD.N32.N00.35.0	(732 546)
DN40	67.00	48.30	44.30	64.00	18.00	N/A	61.00 *	BBS-03-AD.N40.N00.35.0	(732 557)
DN50	79.50	60.30	56.30	62.00	18.00	N/A	74.00 *	BBS-03-AC.N50.N00.35.0	(732 346)
SMS Dimensions Sterile orbital weld end threaded connection									
DN06	21.90	8.00	6.00	55.50	18.00	12.00	19.00	BBS-03-AD.D06.D00.35.0	(732 358)
DN08	24.50	10.00	8.00	56.50	18.00	14.00	22.00	BBS-03-AD.D08.D00.35.0	(732 366)
DN10	31.20	12.00	10.00	58.00	18.00	17.00	27.00	BBS-03-AD.D10.D00.35.0	(732 374)
DN15	41.60	18.00	16.00	62.00	18.00	N/A	36.00	BBS-03-AD.E15.E00.35.0	(732 409)
DN20	41.60	22.00	20.00	62.00	18.00	N/A	36.00	BBS-03-AD.E20.E00.35.0	(732 411)
DN25	48.30	25.00	22.60	62.00	18.00	N/A	42.00 *	BBS-03-AD.E25.E00.35.0	(732 413)
DN32	52.00	32.00	29.60	62.00	18.00	N/A	46.00 *	BBS-03-AD.E32.E00.35.0	(732 419)
DN40	62.00	38.00	35.60	68.00	18.00	N/A	56.00 *	BBS-03-AD.E40.E00.35.0	(732 421)
DN50	79.50	51.00	48.60	68.00	18.00	N/A	61.00 *	BBS-03-AD.E50.E00.35.0	(732 425)
BS-OD Dimensions Sterile orbital weld end threaded connection									
DN1/4"	21.90	6.35	4.57	55.80	18.00	12.00	19.00	BBS-03-AD.K02.K00.35.0	(732 431)
DN3/8"	24.50	9.53	7.75	61.80	25.40	14.00	22.00	BBS-03-AD.K03.K00.35.0	(732 433)
DN1/2"	31.20	12.70	9.40	64.50	25.40	17.00	27.00	BBS-03-AD.K05.K00.35.0	(732 437)
DN3/4"	36.50	19.05	15.75	72.30	25.40	21.00	32.00	BBS-03-AD.K07.K00.35.0	(732 441)
DN1"	48.30	25.40	22.10	74.00	25.40	N/A	42.00 *	BBS-03-AD.K10.K00.35.0	(732 445)
DN2 1/2"	62.00	38.10	34.80	68.60	18.00	N/A	56.00 *	BBS-03-AD.K15.K00.35.0	(732 449)
DN2"	75.00	50.80	47.50	87.70	25.40	N/A	61.00 *	BBS-03-AD.K20.K00.35.0	(732 458)
DIN Dimensions Sterile orbital weld end threaded connection									
DN04	21.90	6.00	4.00	55.50	18.00	12.00	19.00	BBS-03-AD.D04.D00.35.0	(732 354)
DN06	21.90	8.00	6.00	55.50	18.00	12.00	19.00	BBS-03-AD.D06.D00.35.0	(732 358)
DN08	24.50	10.00	8.00	56.50	18.00	14.00	22.00	BBS-03-AD.D08.D00.35.0	(732 366)
DN10	31.20	12.00	10.00	58.00	18.00	17.00	27.00	BBS-03-AD.D10.D00.35.0	(732 374)
DN10	31.20	13.00	10.00	58.00	18.00	17.00	27.00	BBS-03-AD.D10.D00.35.0-1	(743 444)
DN15	41.60	19.00	16.00	60.00	18.00	N/A	36.00	BBS-03-AD.D15.D00.35.0	(732 385)
DN20	48.30	23.00	20.00	62.00	18.00	N/A	42.00 *	BBS-03-AD.D20.D00.35.0	(732 389)
DN25	52.00	29.00	26.00	60.00	18.00	N/A	46.00 *	BBS-03-AD.D25.D00.35.0	(732 393)
DN32	62.00	35.00	32.00	68.00	18.00	N/A	56.00 *	BBS-03-AD.D32.D00.35.0	(732 397)
DN40	62.00	41.00	38.00	65.00	18.00	N/A	56.00 *	BBS-03-AD.D40.D00.35.0	(732 401)
DN50	79.50	53.00	50.00	68.00	18.00	N/A	61.00 *	BBS-03-AD.D50.D00.35.0	(732 405)

* for hook wrench

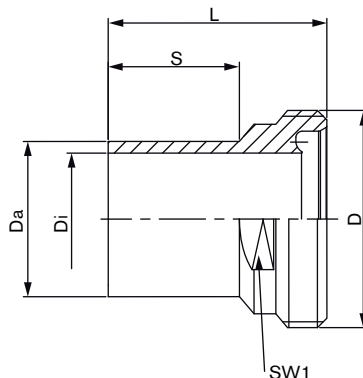
Dimensions [mm] Sterile orbital weld end threaded connection



Orifice	D [mm]	Da [mm]	Di [mm]	L [mm]	S [mm]	SW1 [mm]	SW2 [mm]	Item no. FEP	
ISO Dimensions Sterile orbital weld end threaded connection									
DN06	24.50	10.20	7.00	56.50	18.00	14.00	19.00	BBS-03-AD.N06.N00.35.3	(on request)
DN08	31.20	13.50	10.30	58.00	18.00	17.00	27.00	BBS-03-AD.N08.N00.35.3	(732 472)
DN10	36.50	17.20	14.00	58.00	18.00	21.00	32.00	BBS-03-AD.N10.N00.35.3	(732 490)
DN15	41.60	21.30	18.10	58.00	18.00	22.00	36.00	BBS-03-AD.N15.N00.35.3	(732 510)
DN20	48.30	26.90	23.70	58.00	18.00	N/A	42.00 *	BBS-03-AD.N20.N00.35.3	(732 526)
DN25	52.00	33.70	29.70	60.00	18.00	N/A	46.00 *	BBS-03-AD.N25.N00.35.3	(732 536)
DN32	62.00	42.40	38.40	65.00	18.00	N/A	56.00 *	BBS-03-AD.N32.N00.35.3	(732 551)
DN40	67.00	48.30	44.30	64.00	18.00	N/A	61.00 *	BBS-03-AD.N40.N00.35.3	(732 563)
DN50	79.50	60.30	56.30	62.00	18.00	N/A	74.00 *	BBS-03-AC.N50.N00.35.3	(732 350)
SMS Dimensions Sterile orbital weld end threaded connection									
DN06	21.90	8.00	6.00	55.50	18.00	12.00	19.00	BBS-03-AD.D06.D00.35.3	(732 364)
DN08	24.50	10.00	8.00	56.50	18.00	14.00	22.00	BBS-03-AD.D08.D00.35.3	(732 370)
DN10	31.20	12.00	10.00	58.00	18.00	17.00	27.00	BBS-03-AD.D10.D00.35.3	(732 381)
DN15	41.60	18.00	16.00	62.00	18.00	N/A	36.00	BBS-03-AD.E15.E00.35.3	(on request)
DN20	41.60	22.00	20.00	62.00	18.00	N/A	36.00	BBS-03-AD.E20.E00.35.3	(on request)
DN25	48.30	25.00	22.60	62.00	18.00	N/A	42.00 *	BBS-03-AD.E25.E00.35.3	(732 415)
DN32	52.00	32.00	29.60	62.00	18.00	N/A	46.00 *	BBS-03-AD.E32.E00.35.3	(on request)
DN40	62.00	38.00	35.60	68.00	18.00	N/A	56.00 *	BBS-03-AD.E40.E00.35.3	(on request)
DN50	79.50	51.00	48.60	68.00	18.00	N/A	61.00 *	BBS-03-AD.E50.E00.35.3	(on request)
BS-OD Dimensions Sterile orbital weld end threaded connection									
DN1/4"	21.90	6.35	4.57	55.80	18.00	12.00	19.00	BBS-03-AD.K02.K00.35.3	(743 034)
DN3/8"	24.50	9.53	7.75	61.80	25.40	14.00	22.00	BBS-03-AD.K03.K00.35.3	(732 435)
DN1/2"	31.20	12.70	9.40	64.50	25.40	17.00	27.00	BBS-03-AD.K05.K00.35.3	(732 439)
DN3/4"	36.50	19.05	15.75	72.30	25.40	21.00	32.00	BBS-03-AD.K07.K00.35.3	(732 443)
DN1"	48.30	25.40	22.10	74.00	25.40	N/A	42.00 *	BBS-03-AD.K10.K00.35.3	(732 447)
DN2 1/2"	62.00	38.10	34.80	68.60	18.00	N/A	56.00 *	BBS-03-AD.K15.K00.35.3	(732 451)
DN2"	75.00	50.80	47.50	87.70	25.40	N/A	61.00 *	BBS-03-AD.K20.K00.35.3	(732 460)
DIN Dimensions Sterile orbital weld end threaded connection									
DN04	21.90	6.00	4.00	55.50	18.00	12.00	19.00	BBS-03-AD.D04.D00.35.3	(732 356)
DN06	21.90	8.00	6.00	55.50	18.00	12.00	19.00	BBS-03-AD.D06.D00.35.3	(732 364)
DN08	24.50	10.00	8.00	56.50	18.00	14.00	22.00	BBS-03-AD.D08.D00.35.3	(732 370)
DN10	31.20	12.00	10.00	58.00	18.00	17.00	27.00	BBS-03-AD.D10.D00.35.3	(732 381)
DN10	31.20	13.00	10.00	58.00	18.00	17.00	27.00	BBS-03-AD.D10.D00.35.3-1	(on request)
DN15	41.60	19.00	16.00	60.00	18.00	N/A	36.00	BBS-03-AD.D15.D00.35.3	(732 387)
DN20	48.30	23.00	20.00	62.00	18.00	N/A	42.00 *	BBS-03-AD.D20.D00.35.3	(732 391)
DN25	52.00	29.00	26.00	60.00	18.00	N/A	46.00 *	BBS-03-AD.D25.D00.35.3	(732 395)
DN32	62.00	35.00	32.00	68.00	18.00	N/A	56.00 *	BBS-03-AD.D32.D00.35.3	(732 399)
DN40	62.00	41.00	38.00	65.00	18.00	N/A	56.00 *	BBS-03-AD.D40.D00.35.3	(732 403)
DN50	79.50	53.00	50.00	68.00	18.00	N/A	61.00 *	BBS-03-AD.D50.D00.35.3	(732 407)

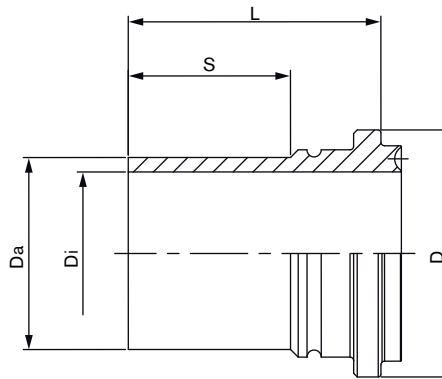
* for hook wrench

Dimensions [mm] Sterile female ferrule threaded



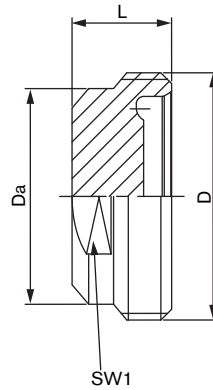
Orifice	D [mm]	Da [mm]	Di [mm]	L [mm]	S [mm]	SW1 [mm]	Item no.	
ISO Dimensions Sterile female ferrule threaded								
DN06	M18x1.5	10.20	7.00	29.00	18.00	14.00	BBS-03-B3.N06.N00.35.0	(732 811)
DN08	M18x1.5	13.50	10.30	30.00	18.00	17.00	BBS-03-B3.N08.N00.35.0	(732 825)
DN10	M18x1.5	17.20	14.00	30.00	18.00	21.00	BBS-03-B3.N10.N00.35.0	(732 847)
DN15	M18x1.0	21.30	18.10	30.00	18.00	22.00	BBS-03-B3.N15.N00.35.0	(732 859)
DN20	M18x1.0	26.90	23.70	30.00	18.00	N/A	BBS-03-B3.N20.N00.35.0	(732 867)
DN25	M18x1.0	33.70	29.70	32.00	18.00	N/A	BBS-03-B3.N25.N00.35.0	(732 875)
DN32	M18x1.0	42.40	38.40	34.00	18.00	N/A	BBS-03-B3.N32.N00.35.0	(732 883)
DN40	M18x1.0	48.30	44.30	34.00	18.00	N/A	BBS-03-B3.N40.N00.35.0	(732 895)
DN50	M18x1.0	60.30	56.30	34.00	18.00	N/A	BBS-03-B3.N50.N00.35.0	(732 899)
SMS Dimensions Sterile female ferrule threaded								
DN06	M18x1.5	8.00	6.00	28.00	18.00	12.00	BBS-03-B3.D06.D00.35.0	(732 733)
DN08	M18x1.5	10.00	8.00	29.00	18.00	14.00	BBS-03-B3.D08.D00.35.0	(732 745)
DN10	M18x1.5	12.00	10.00	30.00	18.00	17.00	BBS-03-B3.D10.D00.35.0	(732 749)
DN15	M18x1.0	18.00	16.00	32.00	18.00	N/A	BBS-03-B3.E15.E00.35.0	(732 763)
DN20	M18x1.0	22.00	20.00	32.00	18.00	N/A	BBS-03-B3.E20.E00.35.0	(732 765)
DN25	M18x1.0	25.00	22.60	32.00	18.00	N/A	BBS-03-B3.E25.E00.35.0	(732 767)
DN32	M18x1.0	32.00	29.60	32.00	18.00	N/A	BBS-03-B3.E32.E00.35.0	(732 771)
DN40	M18x1.0	38.00	35.60	35.00	18.00	N/A	BBS-03-B3.E40.E00.35.0	(732 773)
DN50	M18x1.0	51.00	48.60	35.00	18.00	N/A	BBS-03-B3.E50.E00.35.0	(732 777)
BS-OD Dimensions Sterile female ferrule threaded								
DN1/4"	M18x1.5	6.35	4.57	28.00	18.00	12.00	BBS-03-B3.K02.K00.35.0	(732 783)
DN3/8"	M18x1.5	9.53	7.75	36.70	25.40	14.00	BBS-03-B3.K03.K00.35.0	(732 785)
DN1/2"	M18x1.5	12.70	9.40	36.50	25.40	17.00	BBS-03-B3.K05.K00.35.0	(732 787)
DN3/4"	M18x1.5	19.05	15.75	37.40	25.40	21.00	BBS-03-B3.K07.K00.35.0	(732 790)
DN1"	M18x1.0	25.40	22.10	37.40	25.40	N/A	BBS-03-B3.K10.K00.35.0	(732 792)
DN1 1/2"	M18x1.0	38.10	34.80	36.20	18.00	N/A	BBS-03-B3.K15.K00.35.0	(732 794)
DN2"	M18x1.0	50.80	47.50	45.50	25.40	N/A	BBS-03-B3.K20.K00.35.0	(732 798)
DIN Dimensions Sterile female ferrule threaded								
DN04	M18x1.5	6.00	4.00	28.00	18.00	12.00	BBS-03-B3.D04.D00.35.0	(732 727)
DN06	M18x1.5	8.00	6.00	28.00	18.00	12.00	BBS-03-B3.D06.D00.35.0	(732 733)
DN08	M18x1.5	10.00	8.00	29.00	18.00	14.00	BBS-03-B3.D08.D00.35.0	(732 745)
DN10	M22x1.5	12.00	10.00	30.00	18.00	17.00	BBS-03-B3.D10.D00.35.0	(732 749)
DN10	M22x1.5	13.00	10.00	30.00	18.00	17.00	BBS-03-B3.D10.D00.35.0-1	(743 179)
DN15	M18x1.0	19.00	16.00	30.00	18.00	N/A	BBS-03-B3.D15.D00.35.0	(732 751)
DN20	M18x1.0	23.00	20.00	32.00	18.00	N/A	BBS-03-B3.D20.D00.35.0	(732 753)
DN25	M18x1.0	29.00	26.00	32.00	18.00	N/A	BBS-03-B3.D25.D00.35.0	(732 755)
DN32	M18x1.0	35.00	32.00	35.00	18.00	N/A	BBS-03-B3.D32.D00.35.0	(732 757)
DN40	M18x1.0	41.00	32.00	34.00	18.00	N/A	BBS-03-B3.D40.D00.35.0	(732 759)
DN50	M18x1.0	53.00	50.00	35.00	18.00	N/A	BBS-03-B3.D50.D00.35.0	(732 761)

Dimensions [mm] Sterile male ferrule



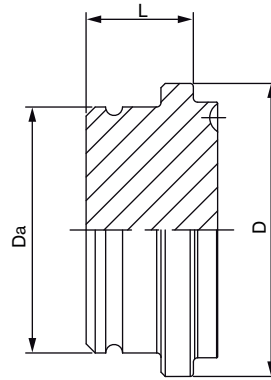
Orifice	D [mm]	Da [mm]	Di [mm]	L [mm]	S [mm]	Item no.	
ISO Dimensions Sterile male ferrule							
DN06	15.80	10.20	7.00	27.00	18.00	BBS-03-A3.N06.N00.35.0	(732 119)
DN08	19.80	13.50	10.30	28.00	18.00	BBS-03-A3.N08.N00.35.0	(732 129)
DN10	24.20	17.20	14.00	28.00	18.00	BBS-03-A3.N10.N00.35.0	(732 137)
DN15	27.40	21.30	18.10	28.00	18.00	BBS-03-A3.N15.N00.35.0	(732 147)
DN20	33.70	26.90	23.70	28.00	18.00	BBS-03-A3.N20.N00.35.0	(732 152)
DN25	39.30	33.70	29.70	28.00	18.00	BBS-03-A3.N25.N00.35.0	(732 155)
DN32	49.00	42.40	38.40	33.30	18.00	BBS-03-A3.N32.N00.35.0	(732 158)
DN40	54.00	48.30	44.30	30.00	18.00	BBS-03-A3.N40.N00.35.0	(732 161)
DN50	65.00	60.30	56.30	28.00	18.00	BBS-03-A3.N50.N00.35.0	(732 162)
SMS Dimensions Sterile male ferrule							
DN06	13.80	8.00	6.00	27.50	18.00	BBS-03-A3.D06.D00.35.0	(732 045)
DN08	15.80	10.00	8.00	27.50	18.00	BBS-03-A3.D08.D00.35.0	(732 047)
DN10	19.80	12.00	10.00	28.00	18.00	BBS-03-A3.D10.D00.35.0	(732 053)
DN15	27.40	18.00	16.00	30.00	18.00	BBS-03-A3.E15.E00.35.0	(732 068)
DN20	33.70	22.00	20.00	30.00	18.00	BBS-03-A3.E20.E00.35.0	(732 070)
DN25	33.70	25.00	22.60	30.00	18.00	BBS-03-A3.E25.E00.35.0	(732 072)
DN32	39.30	32.00	29.60	30.00	18.00	BBS-03-A3.E32.E00.35.0	(732 076)
DN40	49.00	38.00	35.60	33.00	18.00	BBS-03-A3.E40.E00.35.0	(732 078)
DN50	65.20	51.00	48.60	33.00	18.00	BBS-03-A3.E50.E00.35.0	(732 082)
BS-OD Dimensions Sterile male ferrule							
DN1/4"	13.80	6.35	4.57	27.80	18.00	BBS-03-A3.K02.K00.35.0	(732 089)
DN3/8"	15.80	9.53	7.75	25.1	18.00	BBS-03-A3.K03.K00.35.0	(732 091)
DN1/2"	19.80	12.70	9.40	27.00	18.00	BBS-03-A3.K05.K00.35.0	(732 093)
DN3/4"	24.20	19.05	15.75	34.90	25.40	BBS-03-A3.K07.K00.35.0	(732 095)
DN1"	33.70	25.40	22.10	36.50	25.40	BBS-03-A3.K10.K00.35.0	(732 097)
DN1 1/2"	49.00	38.10	34.80	32.40	18.00	BBS-03-A3.K15.K00.35.0	(732 101)
DN2"	65.20	50.80	47.50	42.20	25.40	BBS-03-A3.K20.K00.35.0	(732 105)
DIN Dimensions Sterile male ferrule							
DN04	13.80	6.00	4.00	27.50	18.00	BBS-03-A3.D04.D00.35.0	(732 041)
DN06	13.80	8.00	6.00	27.50	18.00	BBS-03-A3.D06.D00.35.0	(732 045)
DN08	15.80	10.00	8.00	27.50	18.00	BBS-03-A3.D08.D00.35.0	(732 047)
DN10	19.80	12.00	10.00	28.00	18.00	BBS-03-A3.D10.D00.35.0	(732 053)
DN10	19.80	13.00	10.00	28.00	18.00	BBS-03-A3.D10.D00.35.0-1	(743 178)
DN15	27.40	19.00	16.00	30.00	18.00	BBS-03-A3.D15.D00.35.0	(732 055)
DN20	27.40	23.00	20.00	30.00	18.00	BBS-03-A3.D20.D00.35.0	(732 058)
DN25	39.30	29.00	26.00	28.00	18.00	BBS-03-A3.D25.D00.35.0	(732 060)
DN32	49.00	35.00	32.00	33.00	18.00	BBS-03-A3.D32.D00.35.0	(732 062)
DN40	49.00	41.00	32.00	31.00	18.00	BBS-03-A3.D40.D00.35.0	(732 064)
DN50	65.00	53.00	50.00	33.00	18.00	BBS-03-A3.D50.D00.35.0	(732 066)

Dimensions [mm] Sterile female ferrule blind cover threaded



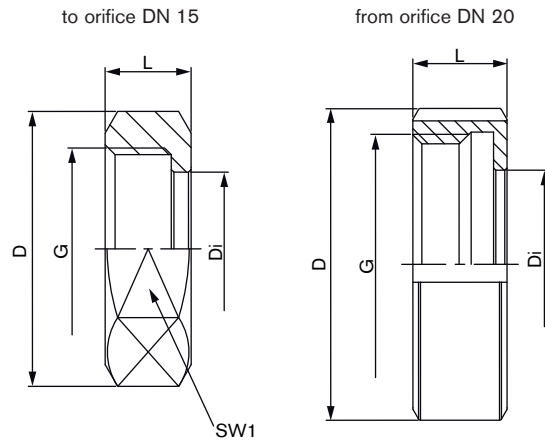
Orifice	D [mm]	Da [mm]	L [mm]	SW1 [mm]	Item no.	
ISO Dimensions Sterile female ferrule blind cover threaded						
DN06	M18x1.5	16.00	11.00	14.00	BBS-03-F0.N06.N00.35.0	(733 211)
DN08	M22x1.5	19.05	13.00	17.00	BBS-03-F0.N08.N00.35.0	(733 217)
DN10	M18x1.5	23.00	13.00	19.00	BBS-03-F0.N10.N00.35.0	(733 220)
DN15	M18x1.0	26.00	12.50	22.00	BBS-03-F0.N15.N00.35.0	(733 227)
DN20	M18x1.0	32.00	15.00	30.00	BBS-03-F0.N20.N00.35.0	(733 230)
DN25	M18x1.0	38.00	15.00	36.00	BBS-03-F0.N25.N00.35.0	(733 236)
DN32	M18x1.0	48.00	16.00	46.00	BBS-03-F0.N32.N00.35.0	(733 239)
DN40	M18x1.0	52.50	16.00	50.00	BBS-03-F0.N40.N00.35.0	(733 243)
DN50	M18x1.0	64.00	20.00	60.00	BBS-03-F0.N50.N00.35.0	(733 246)
SMS Dimensions Sterile female ferrule blind cover threaded						
DN06	M18x1.5	13.50	12.00	12.00	BBS-03-F0.D06.D00.35.0	(733 161)
DN08	M18x1.5	15.50	12.00	14.00	BBS-03-F0.D08.D00.35.0	(733 164)
DN10	M22x1.5	19.05	12.00	17.00	BBS-03-F0.D10.D00.35.0	(733 168)
DN15	M18x1.0	26.00	12.50	22.00	BBS-03-F0.E15.E00.35.0	(on request)
DN20	M18x1.0	26.00	12.50	22.00	BBS-03-F0.E20.E00.35.0	(on request)
DN25	M18x1.0	32.00	15.00	30.00	BBS-03-F0.E25.E00.35.0	(on request)
DN32	M18x1.0	38.00	15.00	36.00	BBS-03-F0.E32.E00.35.0	(on request)
DN40	M18x1.0	48.00	16.00	46.00	BBS-03-F0.E40.E00.35.0	(on request)
DN50	M18x1.0	64.00	20.00	60.00	BBS-03-F0.E50.E00.35.0	(on request)
BS-OD Dimensions Sterile female ferrule blind cover threaded						
DN1/4"	M18x1.5	13.50	12.00	12.00	BBS-03-F0.K02.K00.35.0	(733 190)
DN3/8"	M18x1.5	15.50	12.00	14.00	BBS-03-F0.K03.K00.35.0	(733 193)
DN1/2"	M22x1.5	19.05	12.00	17.00	BBS-03-F0.K05.K00.35.0	(733 196)
DN3/4"	M18x1.5	23.00	13.00	19.00	BBS-03-F0.K07.K00.35.0	(733 199)
DN1"	M18x1.0	26.00	12.50	22.00	BBS-03-F0.K10.K00.35.0	(733 201)
DN1 1/2"	M18x1.0	48.00	18.00	41.00	BBS-03-F0.K15.K00.35.0	(733 204)
DN2"	M18x1.0	64.00	20.00	60.00	BBS-03-F0.K20.K00.35.0	(733 208)
DIN Dimensions Sterile female ferrule blind cover threaded						
DN04	M18x1.5	13.50	12.00	12.00	BBS-03-F0.D04.D00.35.0	(733 158)
DN06	M18x1.5	15.50	12.00	14.00	BBS-03-F0.D06.D00.35.0	(733 161)
DN08	M18x1.5	15.50	12.00	14.00	BBS-03-F0.D08.D00.35.0	(733 164)
DN10	M22x1.5	19.05	12.00	17.00	BBS-03-F0.D10.D00.35.0	(733 168)
DN15	M18x1.0	26.00	12.50	22.00	BBS-03-F0.D15.D00.35.0	(733 171)
DN20	M18x1.0	32.00	15.00	30.00	BBS-03-F0.D20.D00.35.0	(733 174)
DN25	M18x1.0	38.00	15.00	36.00	BBS-03-F0.D25.D00.35.0	(733 177)
DN32	M18x1.0	48.00	14.00	46.00	BBS-03-F0.D32.D00.35.0	(733 180)
DN40	M18x1.0	48.00	14.00	46.00	BBS-03-F0.D40.D00.35.0	(733 184)
DN50	M18x1.0	64.00	20.00	60.00	BBS-03-F0.D50.D00.35.0	(733 187)

Dimensions [mm] Sterile male ferrule blind cover



Orifice	D [mm]	Da [mm]	L [mm]	Item no.	
ISO Dimensions Sterile male ferrule blind cover					
DN06	15.80	12.00	9.20	BBS-03-G1.N06.N00.35.0	(733 348)
DN08	19.80	15.00	11.00	BBS-03-G1.N08.N00.35.0	(733 351)
DN10	24.20	21.00	11.00	BBS-03-G1.N10.N00.35.0	(733 357)
DN15	27.40	23.20	11.00	BBS-03-G1.N15.N00.35.0	(733 364)
DN20	33.70	28.00	11.00	BBS-03-G1.N20.N00.35.0	(733 370)
DN25	39.30	35.50	11.00	BBS-03-G1.N25.N00.35.0	(733 376)
DN32	49.00	43.70	13.00	BBS-03-G1.N32.N00.35.0	(733 382)
DN40	54.00	49.80	15.00	BBS-03-G1.N40.N00.35.0	(733 388)
DN50	65.00	60.30	11.00	BBS-03-G1.N50.N00.35.0	(733 391)
SMS Dimensions Sterile male ferrule blind cover					
DN06	13.80	10.00	11.00	BBS-03-G1.D06.D00.35.0	(733 287)
DN08	15.80	12.20	11.00	BBS-03-G1.D08.D00.35.0	(733 290)
DN10	19.80	15.00	11.00	BBS-03-G1.D10.D00.35.0	(733 293)
DN15	27.40	23.40	10.50	BBS-03-G1.E15.E00.35.0	(733 315)
DN20	33.70	28.00	12.00	BBS-03-G1.E20.E00.35.0	(on request)
DN25	33.70	28.00	12.00	BBS-03-G1.E25.E00.35.0	(733 318)
DN32	39.30	35.50	11.00	BBS-03-G1.E32.E00.35.0	(on request)
DN40	49.00	43.70	13.70	BBS-03-G1.E40.E00.35.0	(733 321)
DN50	65.20	60.30	13.70	BBS-03-G1.E50.E00.35.0	(733 324)
BS-OD Dimensions Sterile male ferrule blind cover					
DN1/4"	13.80	10.00	11.00	BBS-03-G1.K02.K00.35.0	(733 327)
DN3/8"	15.80	12.20	11.00	BBS-03-G1.K03.K00.35.0	(733 330)
DN1/2"	19.80	15.00	9.70	BBS-03-G1.K05.K00.35.0	(733 333)
DN3/4"	24.20	21.00	10.50	BBS-03-G1.K07.K00.35.0	(733 336)
DN1"	33.70	28.00	12.00	BBS-03-G1.K10.K00.35.0	(733 339)
DN1 1/2"	49.00	43.50	13.00	BBS-03-G1.K15.K00.35.0	(733 342)
DN2"	65.20	60.30	13.70	BBS-03-G1.K20.K00.35.0	(733 345)
DIN Dimensions Sterile male ferrule blind cover					
DN04	13.80	10.00	11.00	BBS-03-G1.D04.D00.35.0	(733 284)
DN06	13.80	10.00	11.00	BBS-03-G1.D06.D00.35.0	(733 287)
DN08	15.80	12.20	11.00	BBS-03-G1.D08.D00.35.0	(733 290)
DN10	19.80	15.00	11.00	BBS-03-G1.D10.D00.35.0	(733 293)
DN15	27.40	23.40	11.00	BBS-03-G1.D15.D00.35.0	(733 297)
DN20	27.40	23.40	11.00	BBS-03-G1.D20.D00.35.0	(733 300)
DN25	39.30	35.50	11.70	BBS-03-G1.D25.D00.35.0	(733 303)
DN32	49.00	43.70	13.00	BBS-03-G1.D32.D00.35.0	(733 306)
DN40	49.00	43.70	13.00	BBS-03-G1.D40.D00.35.0	(733 309)
DN50	65.00	60.30	13.70	BBS-03-G1.D50.D00.35.0	(733 312)

Dimensions [mm] Union nut for sterile orbital threaded connection



Orifice	D [mm]	G [mm]	Di [mm]	L [mm]	SW1 [mm]	Item no.
ISO Dimensions Union nut for sterile orbital threaded connection						
DN06	24.50	M18x1.5	12.40	12.00	22.00	BBS-03-C0.D08.D00.05.0 (732 931)
DN08	31.20	M22x1.5	15.50	12.00	27.00	BBS-03-C0.N08.N00.05.0 (732 975)
DN10	36.50	M18x1.5	21.40	13.00	32.00	BBS-03-C0.N10.N00.01.0 (732 983)
DN15	41.60	M18x1.0	23.90	13.00	36.00	BBS-03-C0.N15.N00.05.0 (732 991)
DN20	48.30	M18x1.0	28.50	13.00	42.00*	BBS-03-C0.N20.N00.01.0 (732 999)
DN25	52.00	M18x1.0	36.00	15.00	46.00*	BBS-03-C0.N25.N00.01.0 (733 007)
DN32	62.00	M18x1.0	44.00	18.00	56.00*	BBS-03-C0.N32.N00.05.0 (733 015)
DN40	67.00	M18x1.0	48.60	18.00	61.00*	BBS-03-C0.N40.N00.01.0 (733 023)
DN50	79.50	M18x1.0	60.70	18.00	74.00*	BBS-03-C0.N50.N00.01.0 (733 029)
SMS Dimensions Union nut for sterile orbital threaded connection						
DN06	21.90	M18x1.5	10.40	12.00	19.00	BBS-03-C0.D06.D00.01.0 (732 927)
DN08	24.50	M18x1.5	12.40	12.00	22.00	BBS-03-C0.D08.D00.05.0 (732 931)
DN10	31.20	M22x1.5	15.50	12.00	27.00	BBS-03-C0.N08.N00.05.0 (732 975)
DN15	41.60	M18x1.0	23.90	13.00	36.00	BBS-03-C0.N15.N00.05.0 (732 991)
DN20	41.60	M18x1.0	23.90	13.00	36.00	BBS-03-C0.N15.N00.05.0 (732 991)
DN25	48.30	M18x1.0	28.50	13.00	42.00*	BBS-03-C0.N20.N00.01.0 (732 999)
DN32	52.00	M18x1.0	36.00	15.00	46.00*	BBS-03-C0.N25.N00.01.0 (733 007)
DN40	62.00	M18x1.0	44.00	18.00	56.00*	BBS-03-C0.N32.N00.05.0 (733 015)
DN50	79.50	M18x1.0	60.70	18.00	74.00*	BBS-03-C0.N50.N00.01.0 (733 029)
BS-OD Dimensions Union nut for sterile orbital threaded connection						
DN1/4"	21.90	M18x1.5	10.40	12.00	19.00	BBS-03-C0.D06.D00.01.0 (732 927)
DN3/8"	24.50	M18x1.5	12.40	12.00	22.00	BBS-03-C0.D08.D00.05.0 (732 931)
DN1/2"	31.20	M22x1.5	15.50	12.00	27.00	BBS-03-C0.N08.N00.05.0 (732 975)
DN3/4"	36.50	M18x1.5	21.40	13.00	32.00	BBS-03-C0.N10.N00.01.0 (732 983)
DN1"	48.30	M18x1.0	28.50	13.00	42.00*	BBS-03-C0.N20.N00.01.0 (732 999)
DN1 1/2"	62.00	M18x1.0	44.00	18.00	56.00*	BBS-03-C0.N32.N00.05.0 (733 015)
DN2"	79.50	M18x1.0	60.70	18.00	74.00*	BBS-03-C0.N50.N00.01.0 (733 029)
DIN Dimensions Union nut for sterile orbital threaded connection						
DN04	21.90	M18x1.5	10.40	12.00	19.00	BBS-03-C0.D06.D00.01.0 (732 927)
DN06	21.90	M18x1.5	10.40	12.00	19.00	BBS-03-C0.D06.D00.01.0 (732 927)
DN08	24.50	M18x1.5	12.40	12.00	22.00	BBS-03-C0.D08.D00.05.0 (732 931)
DN10	31.20	M22x1.5	15.50	12.00	27.00	BBS-03-C0.N08.N00.05.0 (732 975)
DN15	41.60	M18x1.0	23.90	13.00	36.00	BBS-03-C0.N15.N00.05.0 (732 991)
DN20	48.30	M18x1.0	28.50	13.00	42.00*	BBS-03-C0.N20.N00.01.0 (732 999)
DN25	52.00	M18x1.0	36.00	15.00	46.00*	BBS-03-C0.N25.N00.01.0 (733 007)
DN32	62.00	M18x1.0	44.00	18.00	56.00*	BBS-03-C0.N32.N00.05.0 (733 015)
DN40	62.00	M18x1.0	44.00	18.00	56.00*	BBS-03-C0.N32.N00.05.0 (733 015)
DN50	79.50	M18x1.0	60.70	18.00	74.00*	BBS-03-C0.N50.N00.01.0 (733 029)

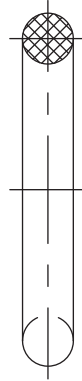
* for hook wrench

Dimensions [mm] Locking ring for sterile orbital threaded connection



Orifice	Item no.	
ISO Locking ring for sterile orbital threaded connection		
DN06	BBS-03-02.D08.00.A2.0	(731 869)
DN08	BBS-03-02.D10.00.A2.0	(731 871)
DN10	BBS-03-02.N10.00.A2.0	(731 877)
DN15	BBS-03-02.N15.00.A2.0	(731 879)
DN20	BBS-03-02.N20.00.A2.0	(731 881)
DN25	BBS-03-02.N25.00.A2.0	(731 883)
DN32	BBS-03-02.N32.00.A2.0	(731 885)
DN40	BBS-03-02.N40.00.A2.0	(731 887)
DN50	BBS-03-02.N50.00.A2.0	(731 889)
SMS Locking ring for sterile orbital threaded connection		
DN06	BBS-03-02.D06.00.A2.0	(730 867)
DN08	BBS-03-02.D08.00.A2.0	(731 869)
DN10	BBS-03-02.D10.00.A2.0	(731 871)
DN15	BBS-03-02.N15.00.A2.0	(731 879)
DN20	BBS-03-02.N15.00.A2.0	(731 879)
DN25	BBS-03-02.N20.00.A2.0	(731 881)
DN32	BBS-03-02.N25.00.A2.0	(731 883)
DN40	BBS-03-02.N32.00.A2.0	(731 885)
DN50	BBS-03-02.N50.00.A2.0	(731 889)
BS-OD Locking ring for sterile orbital threaded connection		
DN1/4"	BBS-03-02.D06.00.A2.0	(731 867)
DN3/8"	BBS-03-02.D08.00.A2.0	(731 869)
DN1/2"	BBS-03-02.D10.00.A2.0	(731 871)
DN3/4"	BBS-03-02.N10.00.A2.0	(731 877)
DN1"	BBS-03-02.N20.00.A2.0	(731 881)
DN1 1/2"	BBS-03-02.N32.00.A2.0	(731 885)
DN2"	BBS-03-02.N50.00.A2.0	(731 889)
DIN Locking ring for sterile orbital threaded connection		
DN04	BBS-03-02.D06.00.A2.0	(731 867)
DN06	BBS-03-02.D06.00.A2.0	(730 867)
DN08	BBS-03-02.D08.00.A2.0	(731 869)
DN10	BBS-03-02.D10.00.A2.0	(731 871)
DN15	BBS-03-02.N15.00.A2.0	(731 879)
DN20	BBS-03-02.N20.00.A2.0	(731 881)
DN25	BBS-03-02.N25.00.A2.0	(731 883)
DN32	BBS-03-02.N32.00.A2.0	(731 885)
DN40	BBS-03-02.N32.00.A2.0	(731 885)
DN50	BBS-03-02.N50.00.A2.0	(731 889)

Dimensions [mm] ISO O-Rings for sterile orbital threaded connection



Orifice	Item no. EPDM		Item no. FEP	
ISO O-Rings for sterile orbital threaded connection				
DN06	BBS-02-01.N06.00.EP.0	(730 981)	BBS-02-01.N06.00.FE.3	-
DN08	BBS-02-01.N08.00.EP.0	(730 983)	BBS-02-01.N08.00.FE.3	(on request)
DN10	BBS-02-01.N10.00.EP.0	(731 004)	BBS-02-01.N10.00.FE.3	(731 006)
DN15	BBS-02-01.N15.00.EP.0	(731 058)	BBS-02-01.N15.00.FE.3	(731 060)
DN20	BBS-02-01.N20.00.EP.0	(731 101)	BBS-02-01.N20.00.FE.3	(731 103)
DN25	BBS-02-01.N25.00.EP.0	(731 141)	BBS-02-01.N25.00.FE.3	(731 143)
DN32	BBS-02-01.N32.00.EP.0	(731 187)	BBS-02-01.N32.00.FE.3	(731 189)
DN40	BBS-02-01.N40.00.EP.0	(731 216)	BBS-02-01.N40.00.FE.3	(731 218)
DN50	BBS-02-01.N50.00.EP.0	(731 250)	BBS-02-01.N50.00.FE.3	(731 253)

Orifice	Item no. Silicone		Item no. FKM	
ISO O-Rings for sterile orbital threaded connection				
DN06	BBS-02-01.N06.00.SI.1	(on request)	BBS-02-01.N08.00.VI.2	(on request)
DN08	BBS-02-01.N08.00.SI.1	(730 989)	BBS-02-01.N08.00.VI.2	(on request)
DN10	BBS-02-01.N10.00.SI.1	(731 015)	BBS-02-01.N10.00.VI.2	(731 017)
DN15	BBS-02-01.N15.00.SI.1	(731 068)	BBS-02-01.N15.00.VI.2	(731 070)
DN20	BBS-02-01.N20.00.SI.1	(731 110)	BBS-02-01.N20.00.VI.2	(731 112)
DN25	BBS-02-01.N25.00.SI.1	(731 151)	BBS-02-01.N25.00.VI.2	(731 153)
DN32	BBS-02-01.N32.00.SI.1	(731 195)	BBS-02-01.N32.00.VI.2	(731 198)
DN40	BBS-02-01.N40.00.SI.1	(731 226)	BBS-02-01.N40.00.VI.2	(731 228)
DN50	BBS-02-01.N50.00.SI.1	(731 261)	BBS-02-01.N50.00.VI.2	(731 263)

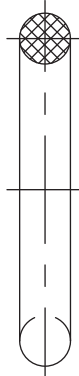
Dimensions [mm] SMS O-Rings for sterile orbital threaded connection



Orifice	Item no. EPDM		Item no. FEP	
SMS O-Rings for sterile orbital threaded connection				
DN06	BBS-02-01.D06.00.EP.0	(730 346)	BBS-02-01.D06.00.FE.3	(730 348)
DN08	BBS-02-01.D08.00.EP.0	(730 356)	BBS-02-01.D08.00.FE.3	(730 356)
DN10	BBS-02-01.D10.00.EP.0	(730 369)	BBS-02-01.D10.00.FE.3	(730 371)
DN15	BBS-02-01.K07.00.EP.0	(730 792)	BBS-02-01.K07.00.FE.3	(730 794)
DN20	BBS-02-01.D20.00.EP.0	(730 460)	BBS-02-01.D20.00.FE.3	(730 462)
DN25	BBS-02-01.K10.00.EP.0	(730 811)	BBS-02-01.K10.00.FE.3	(730 813)
DN32	BBS-02-01.N25.00.EP.0	(731 141)	BBS-02-01.N25.00.FE.3	(731 143)
DN40	BBS-02-01.K15.00.EP.0	(730 837)	BBS-02-01.K15.00.FE.3	(730 839)
DN50	BBS-02-01.K20.00.EP.0	(730 867)	BBS-02-01.K20.00.FE.3	(730 870)

Orifice	Item no. Silicone		Item no. FKM	
SMS O-Rings for sterile orbital threaded connection				
DN06	BBS-02-01.D06.00.SI.1	(730 352)	BBS-02-01.D06.00.VI.2	(743 671)
DN08	BBS-02-01.D08.00.SI.1	(730 361)	BBS-02-01.D08.00.VI.2	(730 363)
DN10	BBS-02-01.D10.00.SI.1	(730 373)	BBS-02-01.D10.00.VI.2	(730 375)
DN15	BBS-02-01.K07.00.SI.1	(730 796)	BBS-02-01.K07.00.VI.2	(730 798)
DN20	BBS-02-01.D20.00.SI.1	(730 464)	BBS-02-01.D20.00.VI.2	(730 466)
DN25	BBS-02-01.K10.00.SI.1	(730 815)	BBS-02-01.K10.00.VI.2	(730 817)
DN32	BBS-02-01.N25.00.SI.1	(731 151)	BBS-02-01.N25.00.VI.2	(731 153)
DN40	BBS-02-01.K15.00.SI.1	(730 841)	BBS-02-01.K15.00.VI.2	(730 843)
DN50	BBS-02-01.K20.00.SI.1	(730 872)	BBS-02-01.K20.00.VI.2	(730 874)

Dimensions [mm] BS-OD O-Rings for sterile orbital threaded connection

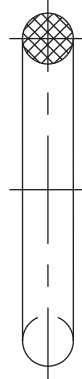


Orifice	Item no. EPDM		Item no. FEP	
BS-OD O-Rings for sterile orbital threaded connection				
DN1/4"	BBS-02-01.K02.00.EP.0	(730 750)	BBS-02-01.K02.00.FE.3	(730 752) *
DN3/8"	BBS-02-01.D08.00.EP.0	(730 356)	BBS-02-01.D08.00.FE.3	(730 356)
DN1/2"	BBS-02-01.K05.00.EP.0	(730 766)	BBS-02-01.K05.00.FE.3	(730 768)
DN3/4"	BBS-02-01.K07.00.EP.0	(730 792)	BBS-02-01.K07.00.FE.3	(730 794)
DN1"	BBS-02-01.K10.00.EP.0	(730 811)	BBS-02-01.K10.00.FE.3	(730 813)
DN1 1/2"	BBS-02-01.K15.00.EP.0	(730 837)	BBS-02-01.K15.00.FE.3	(730 839)
DN2"	BBS-02-01.K20.00.EP.0	(730 867)	BBS-02-01.K20.00.FE.3	(730 870)

* with PTFE

Orifice	Item no. Silicone		Item no. FKM	
BS-OD O-Rings for sterile orbital threaded connection				
DN1/4"	BBS-02-01.K02.00.SI.1	(730 754)	BBS-02-01.K02.00.VI.2	(730 754)
DN3/8"	BBS-02-01.D08.00.SI.1	(730 361)	BBS-02-01.D08.00.VI.2	(730 363)
DN1/2"	BBS-02-01.K05.00.SI.1	(730 770)	BBS-02-01.K05.00.VI.2	(730 772)
DN3/4"	BBS-02-01.K07.00.SI.1	(730 796)	BBS-02-01.K07.00.VI.2	(730 798)
DN1"	BBS-02-01.K10.00.SI.1	(730 815)	BBS-02-01.K10.00.VI.2	(730 817)
DN1 1/2"	BBS-02-01.K15.00.SI.1	(730 841)	BBS-02-01.K15.00.VI.2	(730 843)
DN2"	BBS-02-01.K20.00.SI.1	(730 872)	BBS-02-01.K20.00.VI.2	(730 874)

Dimensions [mm] DIN O-Rings for sterile orbital threaded connection



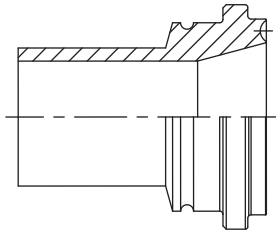
Orifice	Item no. EPDM		Item no. FEP	
DIN O-Rings for sterile orbital threaded connection				
DN04	BBS-02-01.D04.00.EP.0	(731 867)	BBS-02-01.D04.00.FE.3	(on request)
DN06	BBS-02-01.D06.00.EP.0	(730 346)	BBS-02-01.D06.00.FE.3	(730 348)
DN08	BBS-02-01.D08.00.EP.0	(730 356)	BBS-02-01.D08.00.FE.3	(730 356)
DN10	BBS-02-01.D10.00.EP.0	(730 369)	BBS-02-01.D10.00.FE.3	(730 371)
DN15	BBS-02-01.D15.00.EP.0	(730 412)	BBS-02-01.D15.00.FE.3	(730 414)
DN20	BBS-02-01.D20.00.EP.0	(730 460)	BBS-02-01.D20.00.FE.3	(730 462)
DN25	BBS-02-01.D25.00.EP.0	(730 497)	BBS-02-01.D25.00.FE.3	(730 499)
DN32	BBS-02-01.D32.00.EP.0	(730 546)	BBS-02-01.D32.00.FE.3	(730 548)
DN40	BBS-02-01.D40.00.EP.0	(730 573)	BBS-02-01.D40.00.FE.3	(730 575)
DN50	BBS-02-01.D50.00.EP.0	(730 606)	BBS-02-01.D50.00.FE.3	(730 608)

Orifice	Item no. Silicone		Item no. FKM	
DIN O-Rings for sterile orbital threaded connection				
DN04	BBS-02-01.D04.00.SI.1	(730 342)	BBS-02-01.D04.00.VI.2	(730 344)
DN06	BBS-02-01.D06.00.SI.1	(730 352)	BBS-02-01.D06.00.VI.2	(743 671)
DN08	BBS-02-01.D08.00.SI.1	(730 361)	BBS-02-01.D08.00.VI.2	(730 363)
DN10	BBS-02-01.D10.00.SI.1	(730 373)	BBS-02-01.D10.00.VI.2	(730 375)
DN15	BBS-02-01.D15.00.SI.1	(730 416)	BBS-02-01.D15.00.VI.2	(730 418)
DN20	BBS-02-01.D20.00.SI.1	(730 464)	BBS-02-01.D20.00.VI.2	(730 466)
DN25	BBS-02-01.D25.00.SI.1	(730 501)	BBS-02-01.D25.00.VI.2	(730 503)
DN32	BBS-02-01.D32.00.SI.1	(730 550)	BBS-02-01.D32.00.VI.2	(730 552)
DN40	BBS-02-01.D40.00.SI.1	(730 577)	BBS-02-01.D40.00.VI.2	(730 579)
DN50	BBS-02-01.D50.00.SI.1	(730 610)	BBS-02-01.D50.00.VI.2	(730 612)

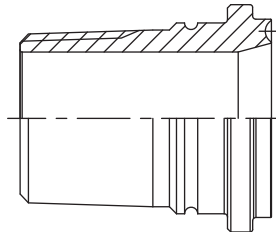
Versions on request

As follows versions available on request

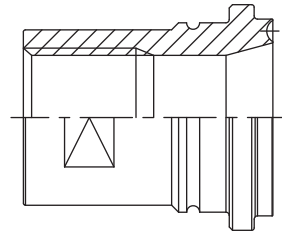
Male ferrule reducer



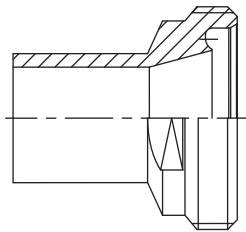
Male ferrule with external thread
 (Gas pipe thread conical acc. to ISO 7-1)



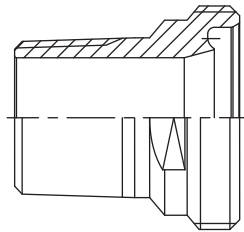
Male ferrule with internal thread
 (Gas pipe thread cyl. acc. to ISO 228-1)



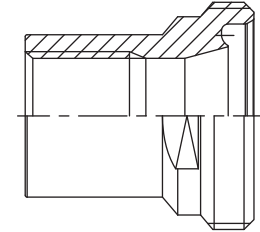
Female ferrule threaded reducer



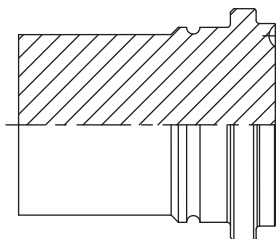
Male ferrule threaded with external thread
 (Gas pipe thread conical acc. to ISO 7-1)



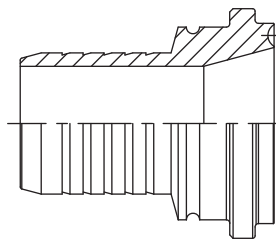
Female ferrule threaded with internal thread
 (Gas pipe thread cyl. acc. to ISO 228-1)



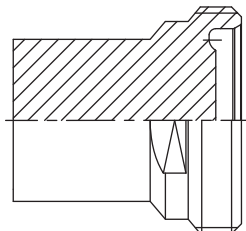
Male end ferrule



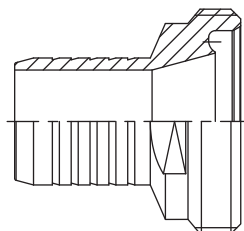
Male inner ferrule



Female end ferrule threaded



Female inner ferrule threaded



DTS 1000148916 EN Version: C Status: RL (released | freigegeben | valide) printed: 29.08.2013

To find your nearest Bürkert facility, click on the orange box → www.burkert.com

In case of special application conditions,
 please consult for advice.

Subject to alteration.
 © Christian Bürkert GmbH & Co. KG

1306/2_EU-en_00895162