

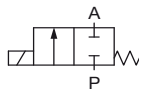
2/2- and 3/2-way Rocker Solenoid Valve

- 22 mm ultra compact design with orifices upto DN 3.0
- Isolating diaphragm for high chemical resistance
- Circuit function NC, NO and 3-way universal
- Back pressure tightness via rocker principle
- Minimal internal volume with excellent cleanability

Direct acting medium separated 2/2- and 3/2-way Rocker Solenoid Valve for control of aggressive fluids and gases in analytical medical applications, the food industry, and also the chemical industry for dosing, filling, mixing and distribution.

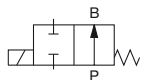
The medium is in contact with fluid housing and seal material solely through the isolating diaphragm. This valve with the new TwinPower-actuator, robust screw-in connection and 22 mm installation width, will fulfil the highest requirements. The established rocker solenoid technology is characterized through full back pressure tightness, good rinsing capability and low internal volume. Type 6628 is available in different technical versions and by virtue of several body options, it offers a perfect adaptation in fluid applications.

Circuit function A



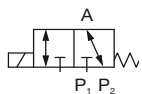
2/2-way valve,
direct acting,
normally closed

Circuit function B



2/2-way valve,
direct acting,
normally open

Circuit function T

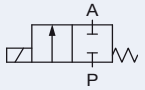
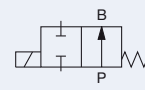
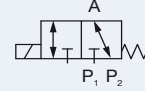


3/2-way valve,
direct acting,
universal function

Other circuit functions on request.

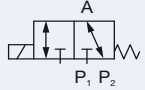
Technical Data	
Orifice	DN 2.0 or 3.0 mm
Body material	PEEK or PPS (PVDF, PP on request)
Seal material	FFKM, FKM or EPDM
Medium	Resistant to neutral and aggressive gases and liquids acc. to our chemical resistance chart
Medium temperature	
FKM	0 to +55 °C
FFKM	+10 to +55 °C
EPDM	-10 to +55 °C
Ambient temperature	
FKM	0 to +55 °C
FFKM	+10 to +55 °C
EPDM	-10 to +55 °C
Internal volume	approx. 200 µl
Viscosity	max. ca. 21 mm ² /s
Port connection	<ul style="list-style-type: none"> ▪ Bürkert-Flange (22 x 35 mm) ▪ G 1/8 ▪ NPT 1/8 ▪ Barbed hose connector 4 mm (5/32") ▪ Push-in connector (tube's external diameter 6mm)
Electrical connection	<ul style="list-style-type: none"> ▪ PFA single flying leads, 0,5mm², 500mm ▪ Rectangular plug for cable plug Type 2505 ▪ Industry plug acc. to DIN 43650 Form B for cable plug Type 2507 on request ▪ circular connector M8 on request
Power supply	12 V DC, 24 V DC Other voltages on request
Voltage tolerance	±10%
Power consumption	5 W
Duty cycle	100 % continuous operation
Installation	As required, preferably with actuator upright
Protection class	IP 54 (IP40 with rectangular plug Type 2505)
Response times	Measurement at valve output with 2 bar and 20 °C acc. to DIN ISO 12238:2001
opening	25 ms (pressure build-up 0-10%)
closing	25 ms (pressure build-up 100-90%)
Manual override	on request

Ordering chart

Circuit function	Orifice [mm]	Port connection	Kv value water [m ³ /h]	Q _{in} value air [l/min]	Pressure range [bar]	Max. pressure difference [bar]	Seal material	Body material	Electrical connection	Voltage/Frequency [V/Hz]	Item no.															
A  2/2-way valve, direct acting, NC	2	Bürkert-Flange	0.1	110	Vac-5	5	EPDM	PPS	Rectangular plug	24/DC	250 857															
									Flying leads, 500 mm	12/DC	251 614															
	3		Bürkert-Flange	0.17	180	Vac-3		3	PPS	Rectangular plug	24/DC	246 199														
										Flying leads, 500mm		242 030														
			Hose connector	G 1/8	0.17	180		Vac-3	3	PEEK	Plug top	24/DC	251 643													
											Flying leads, 500 mm		251 613													
	B  2/2-way valve, direct acting, normally open	3	Bürkert-Flange	0.17	180	Vac-3	3	FFKM	PEEK	Flying leads, 500 mm	24/DC	251 686														
													T  3/2-way valve, direct acting, Universal version	2	Bürkert-Flange	0.1	110	Vac-5	5	EPDM	PPS	Rectangular plug	24/DC	250 859		
																						3	Bürkert-Flange	0.17	180	Vac-2
														Hose connector		G 1/8	0.17	180	Vac-2		2					
																							Flying leads, 500mm	245 256		
														24/DC		Hose connector	G 1/8	0.17	180		Vac-2		2	PEEK	Plug top	24/DC
		Flying leads, 500 mm	251 617																							
		3	Bürkert-Flange	0.17	180	Vac-2	2	FKM	PPS	Rectangular plug	24/DC	251 629														
										Hose connector		G 1/8			0.17	180	Vac-2	2	PEEK	Flying leads, 500 mm	12/DC	251 630				
			Push-in connection	G 1/8	0.17	180	Vac-2		2		PEEK									Rectangular plug	24/DC	251 633				
										Flying leads, 500mm		251 635														
			Hose connector	G 1/8	0.17	180	Vac-2		2	PEEK	Plug top	24/DC			251 684											
Flying leads, 500 mm											251 637															
Push-in connection		G 1/8	0.17	180	Vac-2	2	PEEK	Plug top	24/DC	251 638																
								Flying leads, 500mm		251 649																
Push-in connection		G 1/8	0.17	180	Vac-2	2	PPS	Flying leads, 500mm	24/DC	251 685																

- Kv-value water [m³/h] max. flow rate for water measured at +20° C, 1 bar pressure to atmosphere
- Rectangular plug types delivered without plug (see ordering chart for accessories)

Ordering chart, continued

Circuit function	Orifice [mm]	Port connection	Kv value water [m ³ /h]	Q _{yn} value air [l/min]	Pressure range [bar]	Max. pressure difference [bar]	Seal material	Body material	Electrical connection	Voltage/Frequency [V/Hz]	Item no.
T  3/2-way valve, direct acting, Universal version	2	Bürkert-Flange	0.1	110	Vac-5	5	FFKM	PEEK	Rectangular plug	24/DC	235 320
									Flying leads, 500 mm	12/DC	234 340
									Rectangular plug	24/DC	235 321
	3	Hose connector G 1/8	0.17	180	Vac-2	2	FFKM	PEEK	Flying leads, 500 mm	24/DC	235 322
											230 305
											235 323
										235 325	

- Kv-value water [m³/h] max. flow rate for water measured at +20° C, 1 bar pressure to atmosphere
- Rectangular plug types delivered without plug (see ordering chart for accessories)



i Further versions on request

Electrical connection
Cable plug connection acc. to Form B (industrial standard)
Flying leads


Material
Other Body and Seal materials on request

Ordering chart for accessories

Rectangular plug Type 2505

	Accessories	Item no.
	Rectangular cable plug Type 2505 with 3 m cable	133 486
	Rectangular cable plug Type 2505 with 300 mm flying leads	644 068

Cable Plug Type 2507 according to Industrial standard Form B

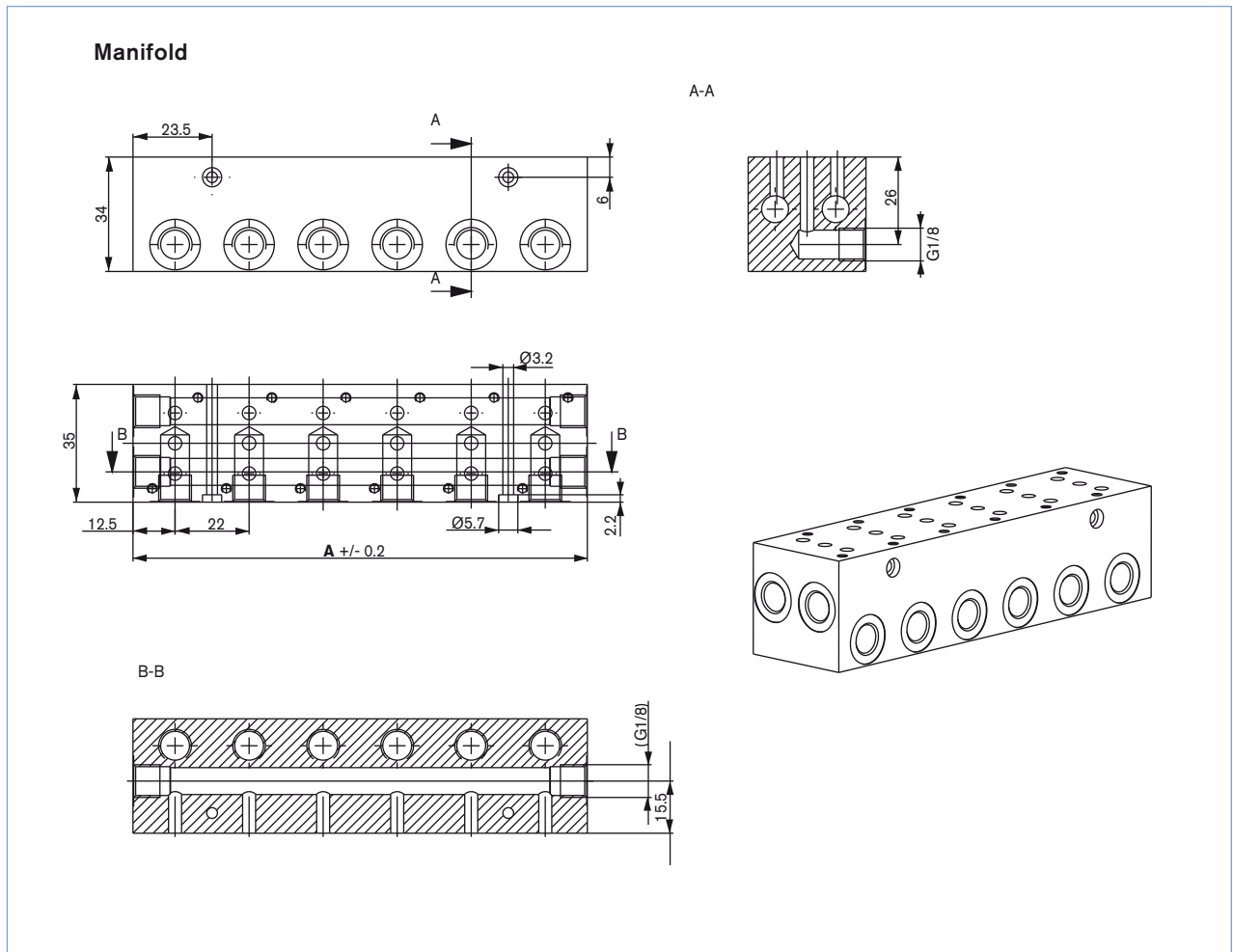
	Accessories	Version	Voltage	Item no.
	Cable Plug Type 2507	without Circuitry	0 ... 250 V AC/DC	423 845
		with LED	24 V AC/DC	423 849

Ordering chart for manifold

Multiple Manifolds with individual service port (G1/8) and diverter function on 2 common channels (G1/8);
Delivery without valves; Material: anodized aluminium

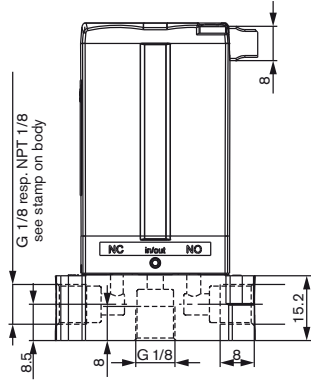
Manifold	A [mm]	Item no.
2-fold	47	669 571
3-fold	69	672 633
4-fold	91	669 572
5-fold	113	672 661
6-fold	135	669 570
10-fold	223	672 660

▪ Other versions on request.

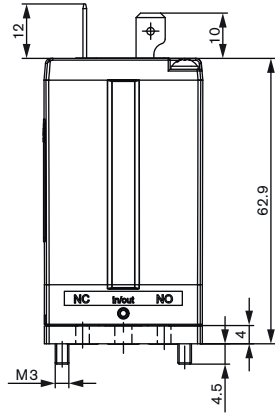


Dimensions [mm]

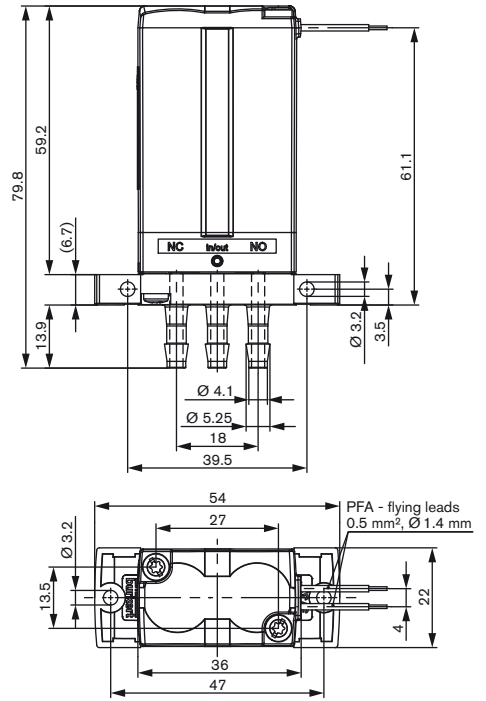
Threaded port version with Rectangular plug



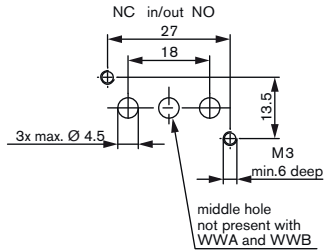
Flange version for Cable Plug



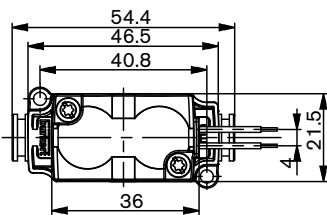
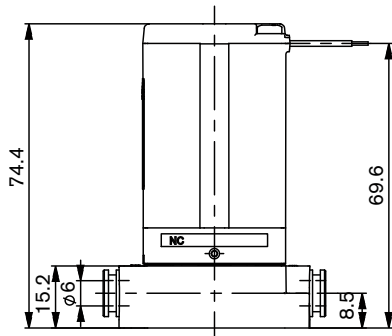
Barbed hose connector with Flying leads



Flange interface for manifold



Push-in connector



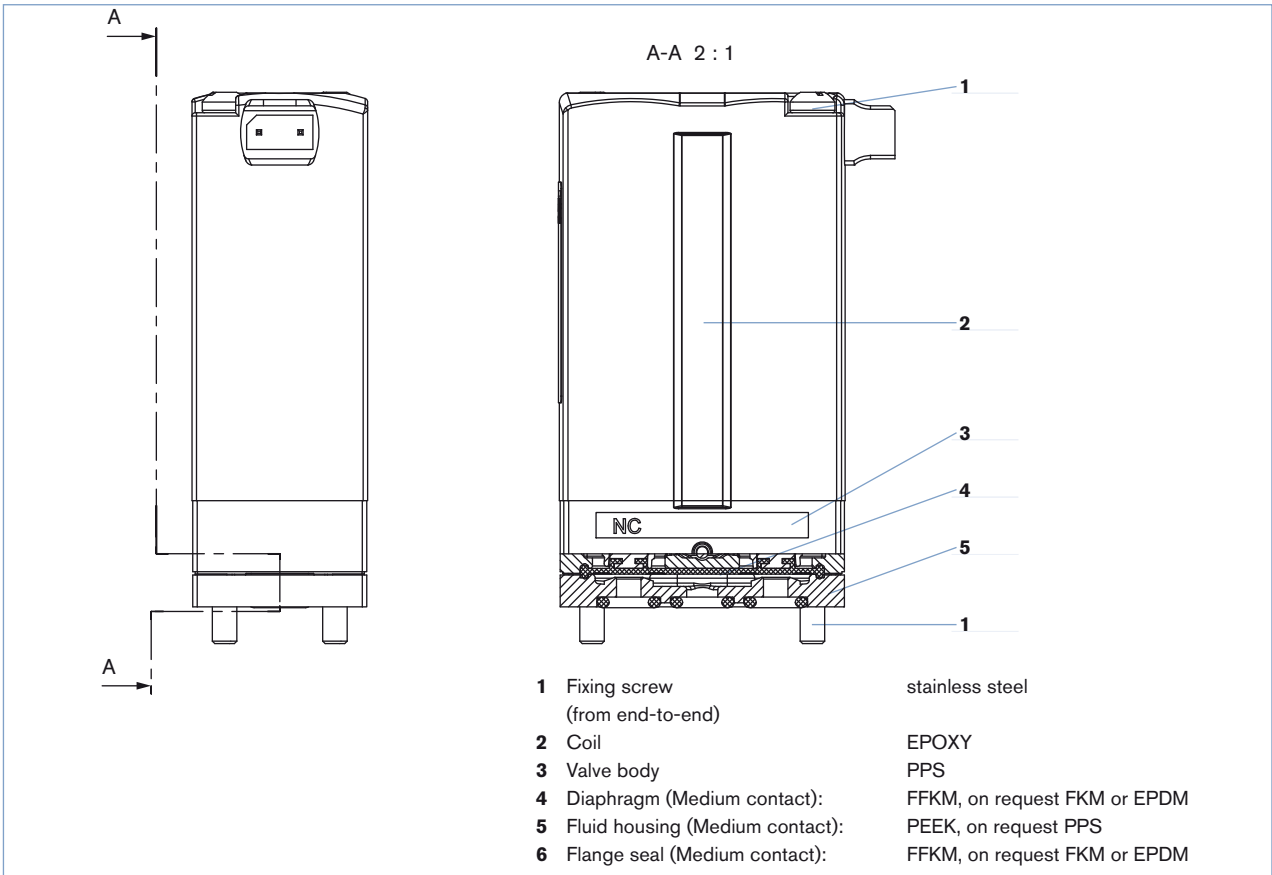
Classification of fluid connections

2/2-way-valve, normally closed (Circuit function A)
inflow at "NC"-connector

2/2-way-valve, normally open (Circuit function B)
inflow at "NO"-connector

3/2-way-valve, universal (Circuit function T)
flow as required

Materials



Application examples



To find your nearest Bürkert facility, click on the orange box → www.buerkert.com

In case of special application conditions, please consult for advice.

Subject to alterations
© Christian Bürkert GmbH & Co. KG

1305/2_EU-en_00895161