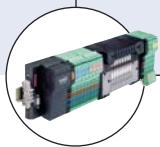




Robolux Multiway Multiport Diaphragm Valve, standard product range

- Increased process efficiency
- Reduced installation costs
- Reduced number of valves and welds
- Zero dead volume and no contamination
- Approvals 3.1, FDA, CE, USP VI, ATEX

Type 2036 can be combined with...



Type 8640 / 8644

Valve block



Type 8055

Full bore magflowmeter



Type 2103

Diaphragm valve



Type 8685

Position feedback head



Type 8686

Control head

This Multiway-Multiport Diaphragm Valve system is designed for control of ultra pure, sterile, aseptic and steam/CIP fluid paths.

It enables optimal sampling, draining or diverting of critical process fluids.

The valve range is based on the patented Robolux technology, where two seats are placed under one diaphragm. This design eliminates dead legs and will minimize the flow system volume.

The valve body is machined from a single piece of bar stock stainless steel. The high quality diaphragms are available in several different USP VI approved materials. The valve is operated with compressed air.

All valves will be delivered with 3.1 certificate, installation drawing and manual instruction. Delivery without diaphragm certificate.

Technical data	
Valve sizes	1/4" to 2", DN 4 - 50
Materials	<ul style="list-style-type: none"> Valve body Diaphragm Actuator <ul style="list-style-type: none"> ▪ 1.4435 stainless steel (316L) ▪ EPDM, advanced PTFE-lined EPDM ▪ 1.4308 stainless steel (CF8)
End connections	<ul style="list-style-type: none"> Weld end Clamp <ul style="list-style-type: none"> ▪ DIN EN ISO 1127 / ISO 4200 / DIN 11866 series B ▪ DIN 11850 Reihe 2 / DIN 11866 series A ▪ ASME BPE / DIN 11866 series C ▪ DIN 32676 Series A (DIN Tube) ▪ DIN 32676 Series B (ISO Tube) ▪ ASME BPE
Surface qualities	<ul style="list-style-type: none"> internal external optional <ul style="list-style-type: none"> Ra ≤ 0.6 µm passivated ~Ra < 1,6 (not polished) electropolished
Medium pressure	max. 8 bar ¹⁾ (depending on actuator and diaphragm)
Pilot pressure	6-10 bar for RV50/70 6-7 bar for RV110
Pilot air ports	Thread G 1/8"
Temperature	<ul style="list-style-type: none"> EPDM diaphragm advanced PTFE coated diaphragm Environment <ul style="list-style-type: none"> +5 to max 130°C (max +143° for 60 min) +5 to 90°C (no steam sterilization) 0 to max. 60°C

¹⁾ Pressure data [bar]: Overpressure with respect to atmospheric pressure

Technical data (continued)

Approval

Certificates are delivered together with the valves.

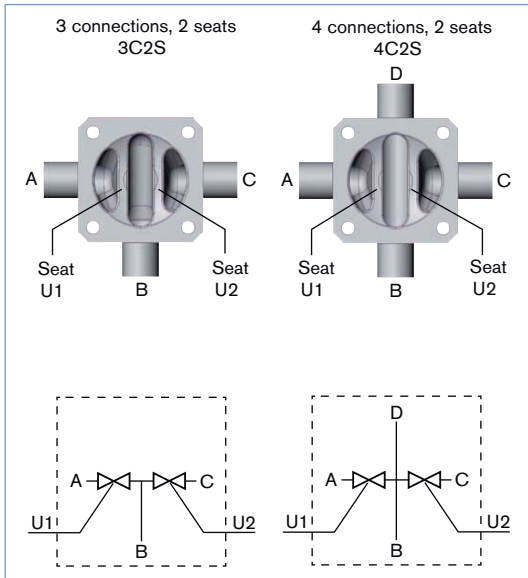
- Valve bodies: EN ISO 10204 3.1
- ATEX Certification: PTB 13 ATEX D103 X
 II 2G c IIC T4
 II 2D c T135°C
- Diaphragms: FDA CFR 177.2600; FDA CFR 177.1550
 USP VI (121°C; EPDM)
 USP VI (advanced PTFE/EPDM)

Medium pressure

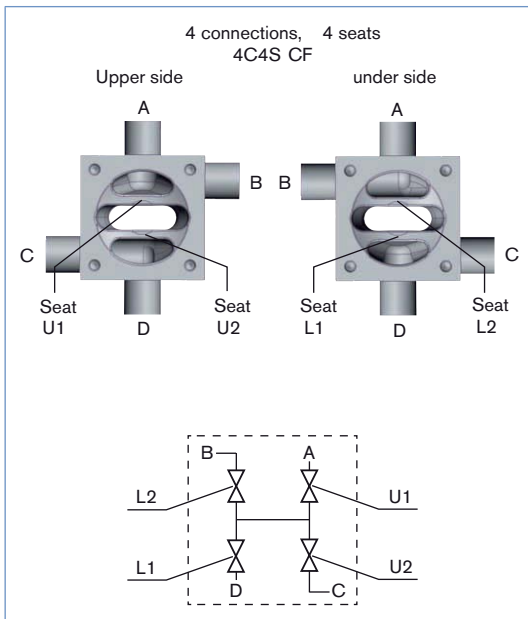
Actuator size	Actuator version (for detail see last page)	Pilot pressure [bar]	Seat leakage / Medium pressure [bar]	
			EPDM and other Elastomer max Operating pressure [bar]	Advanced PTFE/EPDM max. operating pressure [bar]
RV50	D11	6-10	7.5	7.5
	D55 (reduce spring)	4-10	5	3.5
RV70	D11	6-10	8	8
	D55 (reduce spring)	4-10	5.5	6
RV110	D11	6-7	7	7.5
	D55 (reduce spring)	4-7	5	5

Valve symbols and flow patterns

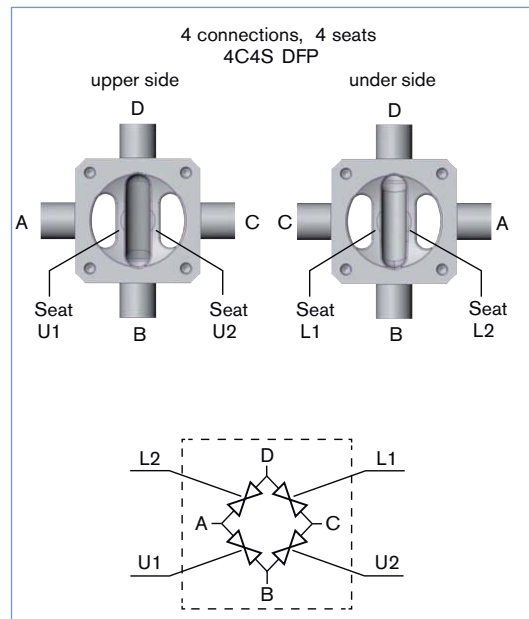
Valve symbols and flow patterns - 3C2S / 4C2S



Valve symbols and flow patterns - 4C4S CF



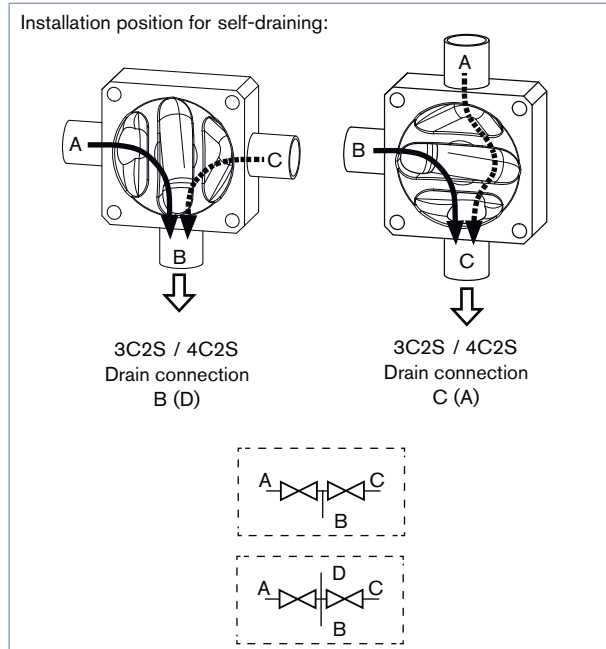
Valve symbols and flow patterns - 4C4S DFP



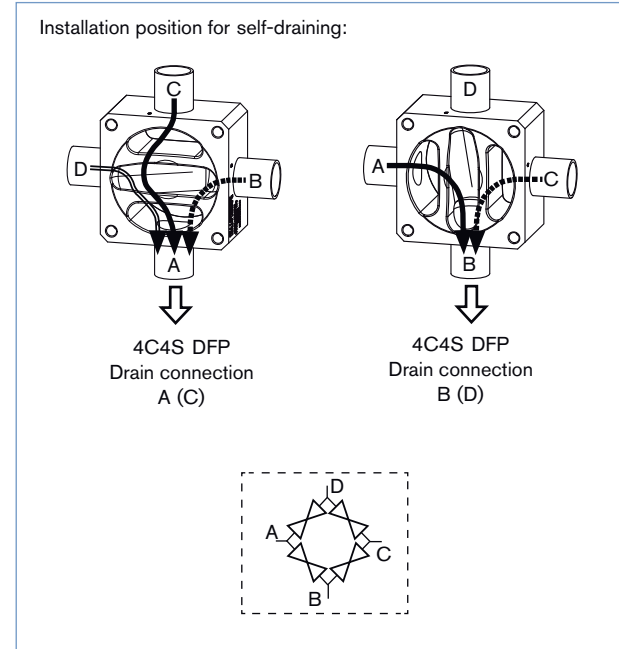
Draining operation of the valve

The draining is achieved differently depending on the valve type. It is very important to fully understand the flow paths of each individual valve body before deciding which port/connection (marked with A, B, C or D) to select for draining. Consult with your Bürkert contact person if there are any questions. The examples below show how to get the optimum draining for the 3C2S/4C2S and 4C4S

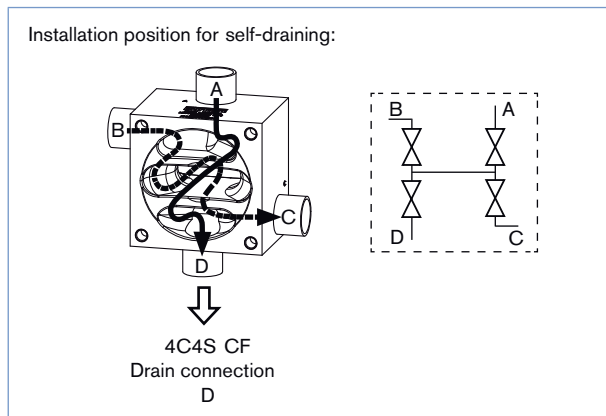
Self-draining 3C2S / 4C2S



Self-draining - 4C4S DFP

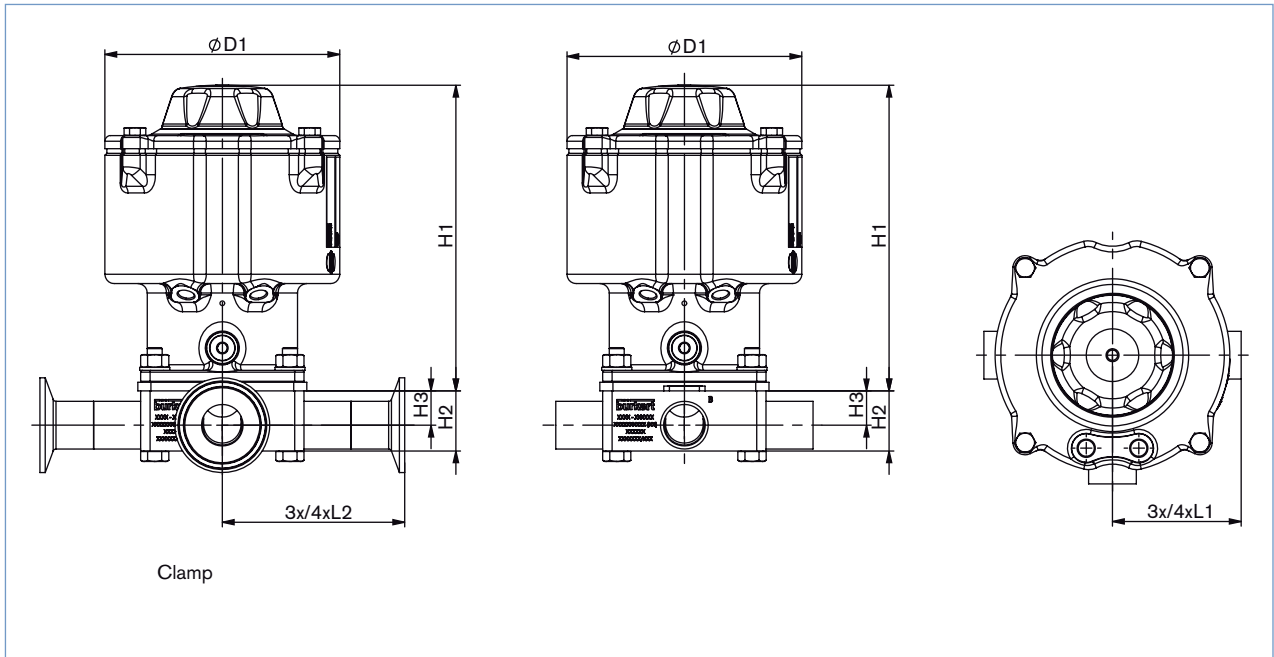


Self-draining 4C4S CF



Dimensions [mm]

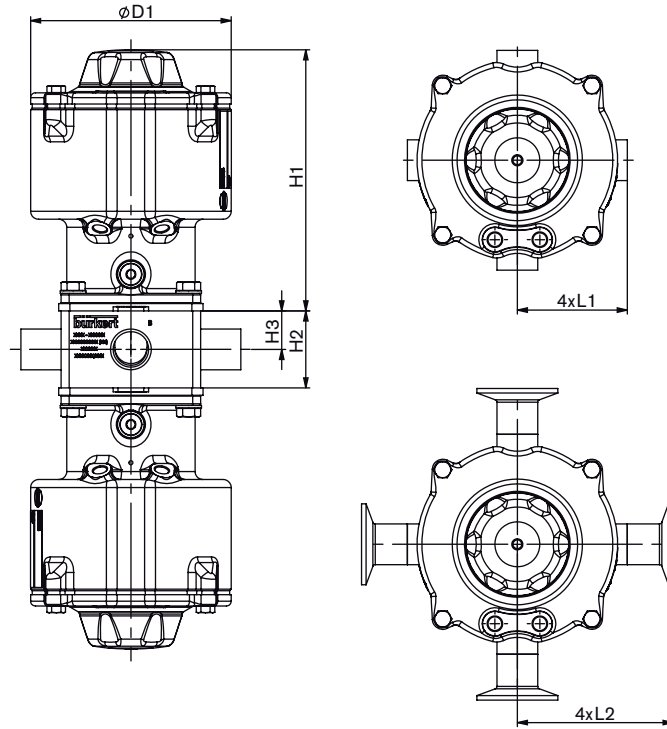
3Connections 2Seats: 3C2S and 4Connections 2Seats: 4C2S



DN [mm]	DN [Zoll]	Actuator size	ØD1	H1	H2	H3	Weld end		Clamp	
							D x s	L1	DCI x di	L2
							DIN EN ISO 1127 / ISO 4200 / DIN 11866 Series B		DIN 32676 Series B (ISO Tube)	
6	-	RV50	83	126.5	16	9.9	10.2 x 1.6	52.5	-	-
8	-	RV50	83	126.5	16	8.3	13.5 x 1.6	52.5	25.0 x 10.3	81.1
10	-	RV50	83	126.5	21	11.4	17.2 x 1.6	52.5	25.0 x 14.0	81.1
15	-	RV50	83	126.5	26	14.4	21.3 x 1.6	52.5	50.5 x 18.1	81.1
20	-	RV70	125	162.5	32	17.6	26.9 x 1.6	68.5	50.5 x 23.7	97.1
25	-	RV110	171	193	38	20.2	33.7 x 2.0	90	50.5 x 29.7	118.6
32	-	RV110	171	193	56	33.8	42.4 x 2.0	90	64.0 x 38.4	118.6
40	-	RV110	171	193	56	30.9	48.3 x 2.0	90	64.0 x 44.3	118.6
50	-	RV110	171	193	62 (3C2S) 68 (4C2S)	30.9 (3C2S) 36.9 (4C2S)	60.3 x 2.0	90	77.5 x 56.3	118.6
							DIN 11850 Series 2 / DIN 11866 Series A		DIN 32676 Series A (DIN Tube)	
4	-	RV50	83	126.5	16	12	6.0 x 1.0	52.5	-	-
6	-	RV50	83	126.5	16	11	8.0 x 1.0	52.5	-	-
8	-	RV50	83	126.5	16	10	10.0 x 1.0	52.5	-	-
10	-	RV50	83	126.5	16	8.5	13.0 x 1.5	52.5	34.0 x 10.0	70.5
15	-	RV50	83	126.5	21	10.5	19.0 x 1.5	52.5	34.0 x 16.0	70.5
20	-	RV70	125	162.5	26	13.5	23.0 x 1.5	68.5	34.0 x 20.0	86.5
25	-	RV70	125	162.5	32	16.5	29.0 x 1.5	68.5	50.5 x 26.0	90
32	-	RV110	171	193	38	19.5	35.0 x 1.5	90	50.5 x 32.0	111.5
40	-	RV110	171	193	44	22.5	41.0 x 1.5	90	50.5 x 38.0	111.5
50	-	RV110	171	193	62	34.5	53.0 x 1.5	90	64.0 x 50.0	111.5
							ASME BPE / DIN 11866 Series C		ASME BPE	
8	1/4"	RV50	83	126.5	16	11.8	6.35 x 0.89	52.5	25.0 x 4.57	81.1
10	3/8"	RV50	83	126.5	16	10.2	9.53 x 0.89	52.5	25.0 x 7.75	81.1
15	1/2"	RV50	83	126.5	16	8.7	12.7 x 1.65	52.5	25.0 x 9.4	81.1
20	3/4"	RV50	83	126.5	21	10.5	19.05 x 1.65	52.5	25.0 x 15.75	81.1
25	1"	RV70	125	162.5	32	18.3	25.4 x 1.65	68.5	50.5 x 22.1	97.1
40	1 1/2"	RV110	171	193	44	24	38.1 x 1.65	90	50.5 x 34.8	118.6
50	2"	RV110	171	193	56	29.6	50.8 x 1.65	90	64.0 x 47.5	118.6

Dimensions [mm]

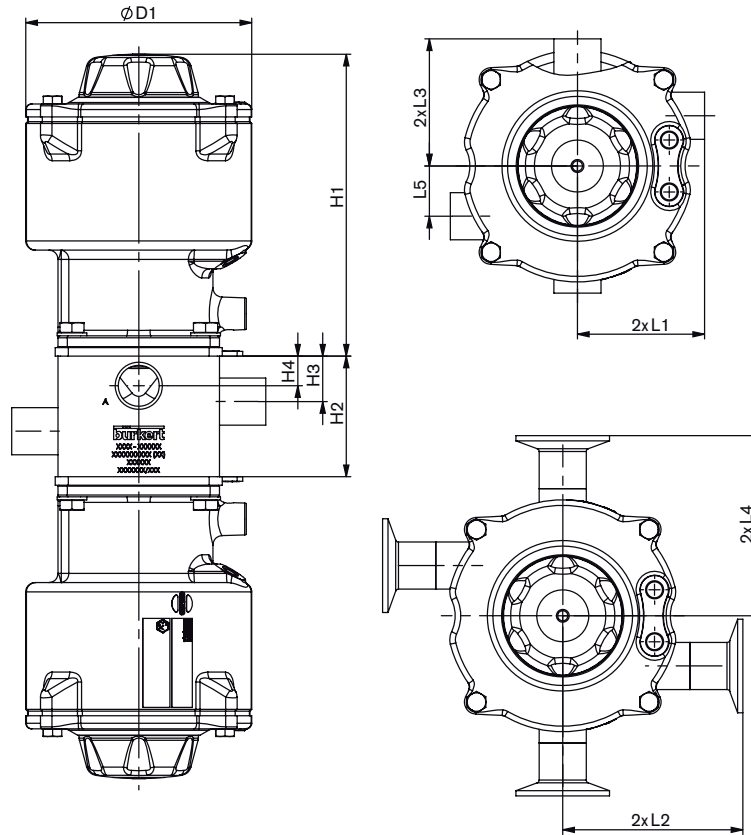
4Connections 4Seats DFP: 4C4S DFP



DN [mm]	DN [Zoll]	Actuator size	$\varnothing D1$	H1	H2	H3	Weld end D x s		Clamp DCI x di	
							L1	L2	DCI x di	L2
							DIN EN ISO 1127 / ISO 4200 / DIN 11866 Series B		DIN 32676 Series B (ISO Tube)	
6	-	RV50	83	126.5	28	14	10.2 x 1.6	52.5	-	-
8	-	RV50	83	126.5	28	14	13.5 x 1.6	52.5	25.0 x 10.3	81.1
10	-	RV50	83	126.5	34	17	17.2 x 1.6	52.5	25.0 x 14.0	81.1
15	-	RV50	83	126.5	34	17	21.3 x 1.6	52.5	50.5 x 18.1	81.1
20	-	RV70	125	162.5	48	24	26.9 x 1.6	68.5	50.5 x 23.7	97.1
25	-	RV110	171	193	65	32.5	33.7 x 2.0	90	50.5 x 29.7	118.6
32	-	RV110	171	193	65	32.5	42.4 x 2.0	90	64.0 x 38.4	118.6
40	-	RV110	171	193	70	35	48.3 x 2.0	90	64.0 x 44.3	118.6
50	-	RV110	171	193	70	35	60.3 x 2.0	90	77.5 x 56.3	118.6
							DIN 11850 Series 2 / DIN 11866 Series A		DIN 32676 Series A (DIN Tube)	
4	-	RV50	83	126.5	28	14	6.0 x 1.0	52.5	-	-
6	-	RV50	83	126.5	28	14	8.0 x 1.0	52.5	-	-
8	-	RV50	83	126.5	28	14	10.0 x 1.0	52.5	-	-
10	-	RV50	83	126.5	28	14	13.0 x 1.5	52.5	34.0 x 10.0	70.5
15	-	RV50	83	126.5	34	17	19.0 x 1.5	52.5	34.0 x 16.0	70.5
20	-	RV70	125	162.5	48	24	23.0 x 1.5	68.5	34.0 x 20.0	86.5
25	-	RV70	125	162.5	48	24	29.0 x 1.5	68.5	50.5 x 26.0	90
32	-	RV110	171	193	65	32.5	35.0 x 1.5	90	50.5 x 32.0	111.5
40	-	RV110	171	193	70	35	41.0 x 1.5	90	50.5 x 38.0	111.5
50	-	RV110	171	193	70	35	53.0 x 1.5	90	64.0 x 50.0	111.5
							ASME BPE / DIN 11866 Series C		ASME BPE	
8	1/4"	RV50	83	126.5	28	14	6.35 x 0.89	52.5	25.0 x 4.57	81.1
10	3/8"	RV50	83	126.5	28	14	9.53 x 0.89	52.5	25.0 x 7.75	81.1
15	1/2"	RV50	83	126.5	28	14	12.7 x 1.65	52.5	25.0 x 9.4	81.1
20	3/4"	RV50	83	126.5	34	17	19.05 x 1.65	52.5	25.0 x 15.75	81.1
25	1"	RV70	125	162.5	48	24	25.4 x 1.65	68.5	50.5 x 22.1	97.1
40	1 1/2"	RV110	171	193	70	35	38.1 x 1.65	90	50.5 x 34.8	118.6
50	2"	RV110	171	193	70	35	50.8 x 1.65	90	64.0 x 47.5	118.6

Dimensions [mm]

4Connections 4Seats CF; 4C4S CF

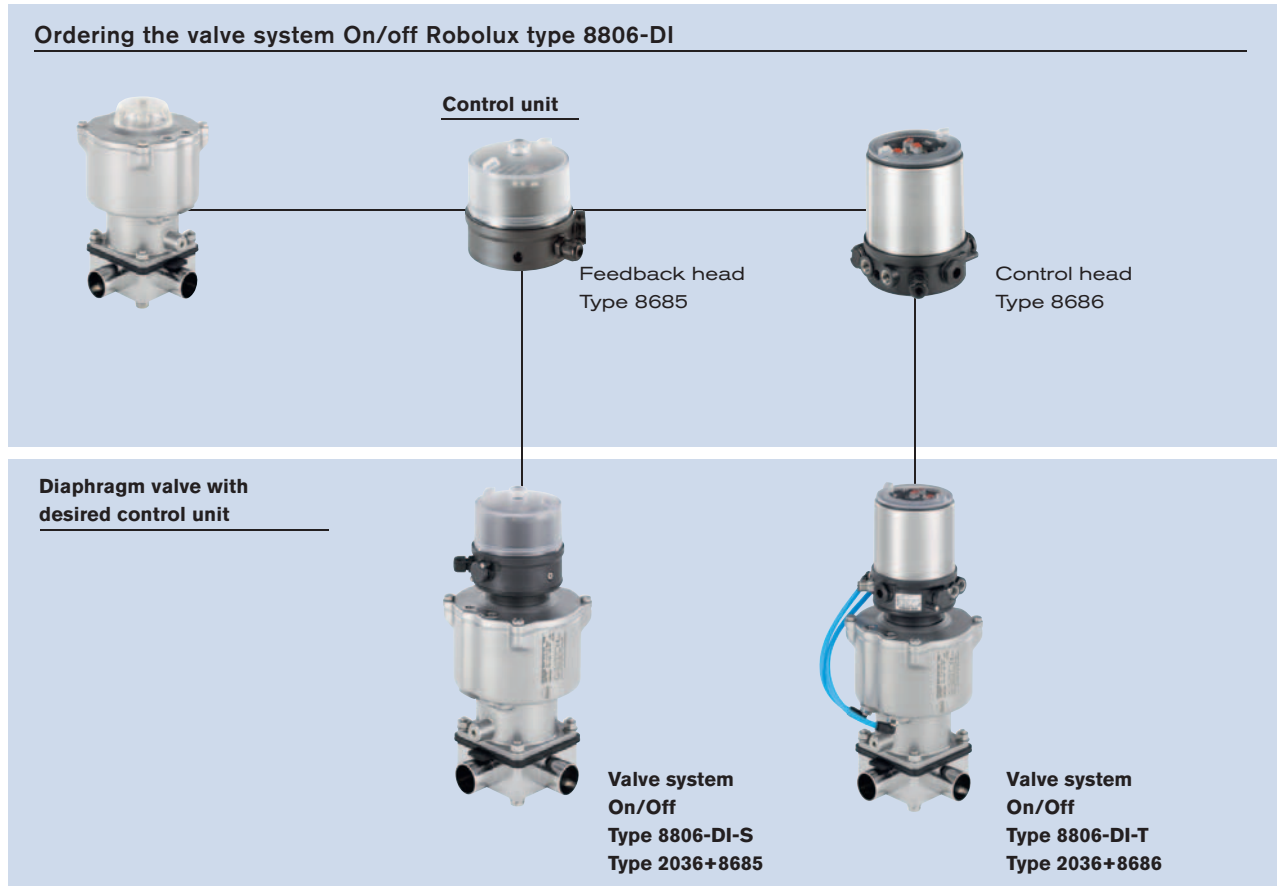


DN [mm]	DN [Zoll]	Actuator size	øD1	H1	H2	H3	H4	L5	Weld end D x s			Clamp DCI x di		
									L1	L3	DIN EN ISO 1127 / ISO 4200 / DIN 11866 Series B	L2	L4	DIN32676 series B (ISO Tube)
6	-	RV50	83	126.5	40	18.5	11.5	20.5	10.2 x 1.6	52.5	52.5	-	-	-
8	-	RV50	83	126.5	42	19	9.9	13.6	13.5 x 1.6	52.5	52.5	25.0 x 10.3	81.1	81.1
10	-	RV50	83	126.5	50	21.5	12	18.2	17.2 x 1.6	52.5	52.5	25.0 x 14.0	81.1	-
15	-	RV50	83	126.5	58	25.5	11.7	12.2	21.3 x 1.6	52.5	52.5	50.5 x 18.1	81.1	81.1
20	-	RV70	125	162.5	67	25.5	15.2	27.8	26.9 x 1.6	68.5	68.5	50.5 x 23.7	97.1	97.1
25	-	RV110	171	193	91	35	24.2	40.1	33.7 x 2.0	90	90	50.5 x 29.7	118.6	118.6
32	-	RV110	171	193	106	42	22.5	44	42.4 x 2.0	90	91.5	64.0 x 38.4	118.6	-
40	-	RV110	171	193	120	46.5	26	47.1	48.3 x 2.0	90	98.2	64.0 x 44.3	118.6	126.8
50	-	RV110	171	193	147	53.5	32	53.1	60.3 x 2.0	90	110.2	77.5 x 56.3	118.6	138.8
									DIN 11850 Series 2 / DIN 11866 Series A			DIN 32676 Series A (DIN Tube)		
4	-	RV50	83	126.5	40	18.5	13	22	6.0 x 1.0	52.5	52.5	-	-	-
6	-	RV50	83	126.5	40	18.5	12	21	8.0 x 1.0	52.5	52.5	-	-	-
8	-	RV50	83	126.5	40	18.5	11	20	10.0 x 1.0	52.5	52.5	-	-	-
10	-	RV50	83	126.5	40	19	9	19	13.0 x 1.5	52.5	52.5	34.0 x 10.0	81.1	81.1
15	-	RV50	83	126.5	54	23.5	11.9	13.3	19.0 x 1.5	52.5	52.5	34.0 x 16.0	81.1	81.1
20	-	RV70	125	162.5	62	22.5	17	26	23.0 x 1.5	68.5	68.5	34.0 x 20.0	86.5	86.5
25	-	RV70	125	162.5	73	27.5	16.5	29	29.0 x 1.5	68.5	69.5	50.5 x 26.0	90	91
32	-	RV110	171	193	95	37	23	41	35.0 x 1.5	90	90	50.5 x 32.0	111.5	111.5
40	-	RV110	171	193	104	41.5	22	33	41.0 x 1.5	90	91	50.5 x 38.0	111.5	112.5
50	-	RV110	171	193	134	50.5	30	50	53.0 x 1.5	90	103.5	64.0 x 50.0	111.5	125
									ASME BPE / DIN 11866 Series C			ASME BPE		
8	1/4"	RV50	83	126.5	40	18.5	12.5	21.7	6.35 x 0.89	52.5	52.5	25.0 x 4.57	81.1	81.1
10	3/8"	RV50	83	126.5	40	18.5	11	20.1	9.53 x 0.89	52.5	52.5	25.0 x 7.75	81.1	81.1
15	1/2"	RV50	83	126.5	40	8.5	10.3	13.2	12.7 x 1.65	52.5	52.5	25.0 x 9.4	81.1	81.1
20	3/4"	RV50	83	126.5	53	22.5	12	13.4	19.05 x 1.65	52.5	52.5	25.0 x 15.75	81.1	81.1
25	1"	RV70	125	162.5	65	24.5	16	27	25.4 x 1.65	68.5	68.5	50.5 x 22.1	97.1	97.1
40	1 1/2"	RV110	171	193	98	39	21.6	42.4	38.1 x 1.65	90	90	50.5 x 34.8	118.6	118.6
50	2"	RV110	171	193	126	48.5	27.7	48.7	50.8 x 1.65	90	101	64.0 x 47.5	118.6	129.6

Ordering information for valve system On/Off Robolux Type 8806

A valve system On/Off Robolux Type 8806 consists of a diaphragm valve Type 2036 and a feedback head Type 8685 or control head Type 8686. For the configuration of further valve systems please use the "Request for quotation" on p. 15 [go to page](#)
You order two components and receive a complete assembled and certified valve.

Ordering the valve system On/off Robolux type 8806-DI



Click on the orange box "More info." below... you will come to our website for the resp. product where you can download the data sheet.

Position feedback head Type 8685



More info.

The New Feedback, Type 8685, for combination with the pneumatically operated actuator, Type 2036. The Robolux model is specially designed for hygienic environments.

The feedback unit with electrical position feedback is also available in ASI and is intrinsically safe acc. to ATEX

Main customer benefits:

- Adjustment to the individual actuator size is done through DIP switches.
- The devices contain the complete automation functionality of the two individually operated actuator pistons.
- Visual position feedback is done by non-contact switches and high-power LEDs.
- Hygienic design, materials are chemically resistant against cleaning media and a proven electrical IP protection.
- Standard version, 24 VDC.

Control head Type 8686



More info.

The new Control Head, Type 8686, for combination with the pneumatically operated actuator, Type 2036. The Robolux model is specially designed for hygienic environments.

The Control Head which combines electrical position feedback and pneumatic control is also available in ASI and is intrinsically safe acc. to ATEX

Main customer benefits:

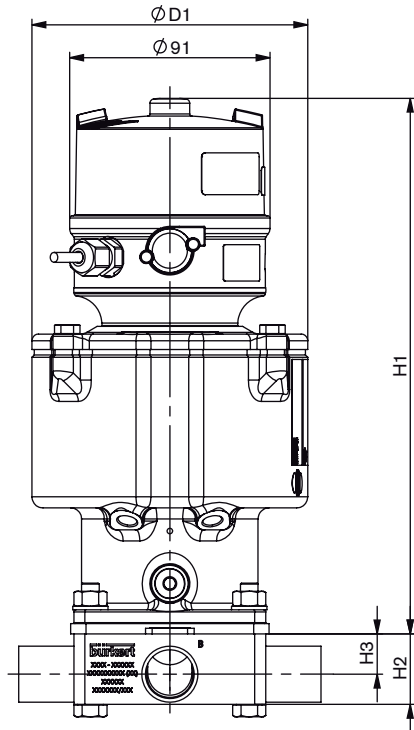
- Adjustment to the individual actuator size is done through DIP-switches.
- The devices contain the complete automation functionality of both individually operated actuator pistons.
- Visual position feedback is done by noncontact switches and high-power LEDs.
- Integrated compressed air filter to protect the pilot valve function against particles through the compressed air supply.
- Hygienic design, materials being chemically resistant against cleaning media and a proven electrical IP protection.
- Standard version, 24 VDC.

Note:

Certain system configurations of size RV50 can not be welded to each other directly. Please contact your local subsidiaries in advance before ordering.

Dimensions for valve system On/Off Robolux Type 8806-DI [mm]

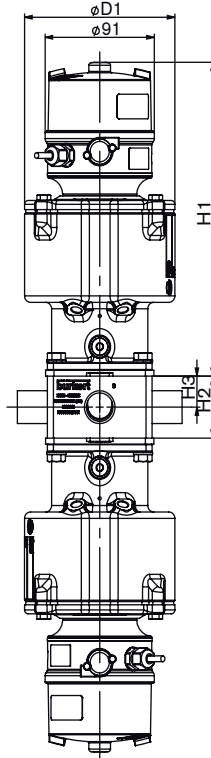
Type 8806-DI-S with body type 3C2S or 4C2S and feedback head Type 8685 [mm]



DN [mm]	DN [Zoll]	Actuator size	øD1	H1	H2	H3	Weld end D x s		Clamp DCI x di	
							L1	L2	L1	L2
							DIN EN ISO 1127 / ISO 4200 / DIN 11866 Series B			
							DIN 32676 Series B (ISO Tube)			
6	-	RV50	83	214.5	16	9.9	10.2 x 1.6	52.5	-	-
8	-	RV50	83	214.5	16	8.3	13.5 x 1.6	52.5	25.0 x 10.3	81.1
10	-	RV50	83	214.5	21	11.4	17.2 x 1.6	52.5	25.0 x 14.0	81.1
15	-	RV50	83	214.5	26	14.4	21.3 x 1.6	52.5	50.5 x 18.1	81.1
20	-	RV70	125	242.5	32	17.6	26.9 x 1.6	68.5	50.5 x 23.7	97.1
25	-	RV110	171	273	38	20.2	33.7 x 2.0	90	50.5 x 29.7	118.6
32	-	RV110	171	273	56	33.8	42.4 x 2.0	90	64.0 x 38.4	118.6
40	-	RV110	171	273	56	30.9	48.3 x 2.0	90	64.0 x 44.3	118.6
50	-	RV110	171	273	62 (3C2S) 68 (4C2S)	30.9 (3C2S) 36.9 (4C2S)	60.3 x 2.0	90	77.5 x 56.3	118.6
							DIN 11850 Series 2 / DIN 11866 Series A		DIN 32676 Series A (DIN Tube)	
4	-	RV50	83	214.5	16	12	6.0 x 1.0	52.5	-	-
6	-	RV50	83	214.5	16	11	8.0 x 1.0	52.5	-	-
8	-	RV50	83	214.5	16	10	10.0 x 1.0	52.5	-	-
10	-	RV50	83	214.5	16	8.5	13.0 x 1.5	52.5	34.0 x 10.0	70.5
15	-	RV50	83	214.5	21	10.5	19.0 x 1.5	52.5	34.0 x 16.0	70.5
20	-	RV70	125	242.5	26	13.5	23.0 x 1.5	68.5	34.0 x 20.0	86.5
25	-	RV70	125	242.5	32	16.5	29.0 x 1.5	68.5	50.5 x 26.0	90
32	-	RV110	171	273	38	19.5	35.0 x 1.5	90	50.5 x 32.0	111.5
40	-	RV110	171	273	44	22.5	41.0 x 1.5	90	50.5 x 38.0	111.5
50	-	RV110	171	273	62	34.5	53.0 x 1.5	90	64.0 x 50.0	111.5
							ASME BPE / DIN 11866 Series C		ASME BPE	
8	1/4"	RV50	83	214.5	16	11.8	6.35 x 0.89	52.5	25.0 x 4.57	81.1
10	3/8"	RV50	83	214.5	16	10.2	9.53 x 0.89	52.5	25.0 x 7.75	81.1
15	1/2"	RV50	83	214.5	16	8.7	12.7 x 1.65	52.5	25.0 x 9.4	81.1
20	3/4"	RV50	83	214.5	21	10.5	19.05 x 1.65	52.5	25.0 x 15.75	81.1
25	1"	RV70	125	242.5	32	18.3	25.4 x 1.65	68.5	50.5 x 22.1	97.1
40	1 1/2"	RV110	171	273	44	24	38.1 x 1.65	90	50.5 x 34.8	118.6
50	2"	RV110	171	273	56	29.6	50.8 x 1.65	90	64.0 x 47.5	118.6

Dimensions for valve system On/Off Robolux Type 8806-DI [mm]

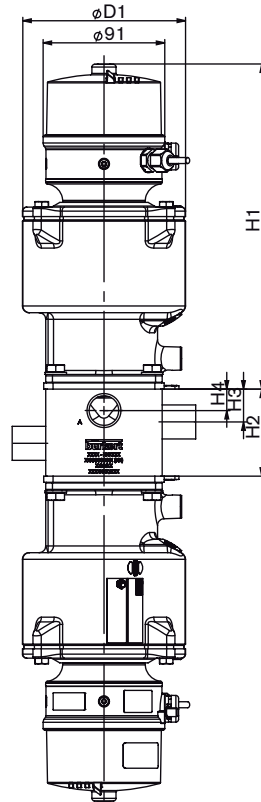
Type 8806-DI-S with body type 4C4S DFP and feedback head Type 8685 [mm]



DN [mm]	DN [Zoll]	Actuator size	øD1	H1	H2	H3	Weld end D x s		Clamp DCI x di	
							L1	L2		
							DIN EN ISO 1127 / ISO 4200 / DIN 11866 Series B		DIN 32676 Series B (ISO Tube)	
6	-	RV50	83	214.5	28	14	10.2 x 1.6	52.5	-	-
8	-	RV50	83	214.5	28	14	13.5 x 1.6	52.5	25.0 x 10.3	81.1
10	-	RV50	83	214.5	34	17	17.2 x 1.6	52.5	25.0 x 14.0	81.1
15	-	RV50	83	214.5	34	17	21.3 x 1.6	52.5	50.5 x 18.1	81.1
20	-	RV70	125	242.5	48	24	26.9 x 1.6	68.5	50.5 x 23.7	97.1
25	-	RV110	171	273	65	32.5	33.7 x 2.0	90	50.5 x 29.7	118.6
32	-	RV110	171	273	65	32.5	42.4 x 2.0	90	64.0 x 38.4	118.6
40	-	RV110	171	273	70	35	48.3 x 2.0	90	64.0 x 44.3	118.6
50	-	RV110	171	273	70	35	60.3 x 2.0	90	77.5 x 56.3	118.6
							DIN 11850 Series 2 / DIN 11866 Series A		DIN 32676 Series A (DIN Tube)	
4	-	RV50	83	214.5	28	14	6.0 x 1.0	52.5	-	-
6	-	RV50	83	214.5	28	14	8.0 x 1.0	52.5	-	-
8	-	RV50	83	214.5	28	14	10.0 x 1.0	52.5	-	-
10	-	RV50	83	214.5	28	14	13.0 x 1.5	52.5	34.0 x 10.0	70.5
15	-	RV50	83	214.5	34	17	19.0 x 1.5	52.5	34.0 x 16.0	70.5
20	-	RV70	125	242.5	48	24	23.0 x 1.5	68.5	34.0 x 20.0	86.5
25	-	RV70	125	242.5	48	24	29.0 x 1.5	68.5	50.5 x 26.0	90
32	-	RV110	171	273	65	32.5	35.0 x 1.5	90	50.5 x 32.0	111.5
40	-	RV110	171	273	70	35	41.0 x 1.5	90	50.5 x 38.0	111.5
50	-	RV110	171	273	70	35	53.0 x 1.5	90	64.0 x 50.0	111.5
							ASME BPE / DIN 11866 Series C		ASME BPE	
8	1/4"	RV50	83	214.5	28	14	6.35 x 0.89	52.5	25.0 x 4.57	81.1
10	3/8"	RV50	83	214.5	28	14	9.53 x 0.89	52.5	25.0 x 7.75	81.1
15	1/2"	RV50	83	214.5	28	14	12.7 x 1.65	52.5	25.0 x 9.4	81.1
20	3/4"	RV50	83	214.5	34	17	19.05 x 1.65	52.5	25.0 x 15.75	81.1
25	1"	RV70	125	242.5	48	24	25.4 x 1.65	68.5	50.5 x 22.1	97.1
40	1 1/2"	RV110	171	273.0	70	35	38.1 x 1.65	90	50.5 x 34.8	118.6
50	2"	RV110	171	273.0	70	35	50.8 x 1.65	90	64.0 x 47.5	118.6

Dimensions for valve system On/Off Robolux Type 8806-DI [mm]

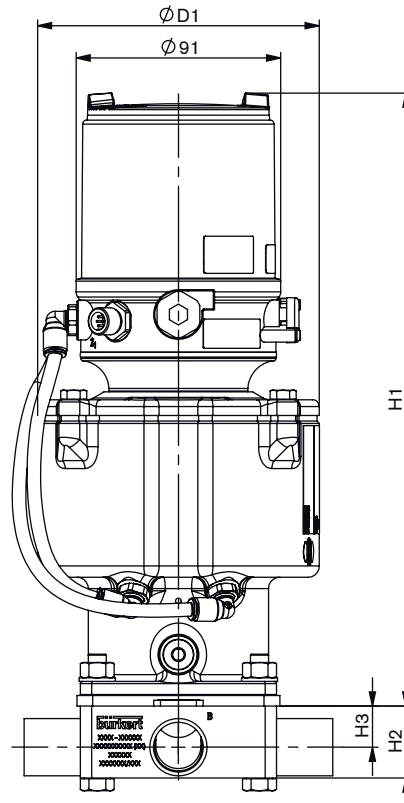
Type 8806-DI-S with body type 4C4S CF and feedback head Type 8685 [mm]



DN [mm]	DN [Zoll]	Actuator size	øD1	H1	H2	H3	H4	L5	Weld end			Clamp		
									D x s	L1	L3	DCI x di	L2	L4
									DIN EN ISO 1127 / ISO 4200 / DIN 11866 Series B			DIN 32676 Series B (ISO Tube)		
6	-	RV50	83	214.5	40	18.5	11.5	20.5	10.2 x 1.6	52.5	52.5	-	-	-
8	-	RV50	83	214.5	42	19	9.9	13.6	13.5 x 1.6	52.5	52.5	25.0 x 10.3	81.1	81.1
10	-	RV50	83	214.5	50	21.5	12	18.2	17.2 x 1.6	52.5	52.5	25.0 x 14.0	81.1	-
15	-	RV50	83	214.5	58	25.5	11.7	12.2	21.3 x 1.6	52.5	52.5	50.5 x 18.1	81.1	81.1
20	-	RV70	125	242.5	67	25.5	15.2	27.8	26.9 x 1.6	68.5	68.5	50.5 x 23.7	97.1	97.1
25	-	RV110	171	273	91	35	24.2	40.1	33.7 x 2.0	90	90	50.5 x 29.7	118.6	118.6
32	-	RV110	171	273	106	42	22.5	44	42.4 x 2.0	90	91.5	64.0 x 38.4	118.6	-
40	-	RV110	171	273	120	46.5	26	47.1	48.3 x 2.0	90	98.2	64.0 x 44.3	118.6	126.8
50	-	RV110	171	273	147	53.5	32	53.1	60.3 x 2.0	90	110.2	77.5 x 56.3	118.6	138.8
									DIN 11850 Series 2 / DIN 11866 Series A			DIN 32676 Series A (DIN Tube)		
4	-	RV50	83	214.5	40	18.5	13	22	6.0 x 1.0	52.5	52.5	-	-	-
6	-	RV50	83	214.5	40	18.5	12	21	8.0 x 1.0	52.5	52.5	-	-	-
8	-	RV50	83	214.5	40	18.5	11	20	10.0 x 1.0	52.5	52.5	-	-	-
10	-	RV50	83	214.5	40	19	9	19	13.0 x 1.5	52.5	52.5	34.0 x 10.0	81.1	81.1
15	-	RV50	83	214.5	54	23.5	11.9	13.3	19.0 x 1.5	52.5	52.5	34.0 x 16.0	81.1	81.1
20	-	RV70	125	242.5	62	22.5	17	26	23.0 x 1.5	68.5	68.5	34.0 x 20.0	86.5	86.5
25	-	RV70	125	242.5	73	27.5	16.5	29	29.0 x 1.5	68.5	69.5	50.5 x 26.0	90	91
32	-	RV110	171	273	95	37	23	41	35.0 x 1.5	90	90	50.5 x 32.0	111.5	111.5
40	-	RV110	171	273	104	41.5	22	33	41.0 x 1.5	90	91	50.5 x 38.0	111.5	112.5
50	-	RV110	171	273	134	50.5	30	50	53.0 x 1.5	90	103.5	64.0 x 50.0	111.5	125
									ASME BPE / DIN 11866 Series C			ASME BPE		
8	1/4"	RV50	83	214.5	40	18.5	12.5	21.7	6.35 x 0.89	52.5	52.5	25.0 x 4.57	81.1	81.1
10	3/8"	RV50	83	214.5	40	18.5	11	20.1	9.53 x 0.89	52.5	52.5	25.0 x 7.75	81.1	81.1
15	1/2"	RV50	83	214.5	40	8.5	10.3	13.2	12.7 x 1.65	52.5	52.5	25.0 x 9.4	81.1	81.1
20	3/4"	RV50	83	214.5	53	22.5	12	13.4	19.05 x 1.65	52.5	52.5	25.0 x 15.75	81.1	81.1
25	1"	RV70	125	242.5	65	24.5	16	27	25.4 x 1.65	68.5	68.5	50.5 x 22.1	97.1	97.1
40	1 1/2"	RV110	171	273	98	39	21.6	42.4	38.1 x 1.65	90	90	50.5 x 34.8	118.6	118.6
50	2"	RV110	171	273	126	48.5	27.7	48.7	50.8 x 1.65	90	101	64.0 x 47.5	118.6	129.6

Dimensions for valve system On/Off Robolux Type 8806-DI [mm]

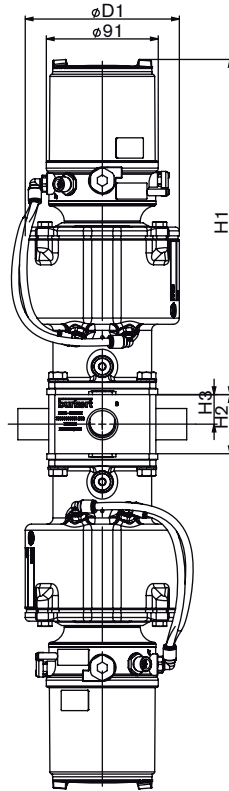
Type 8806-DI-T with body type 3C2S or 4C2S and feedback head Type 8686 [mm]



DN [mm]	DN [Zoll]	Actuator size	øD1	H1	H2	H3	Weld end D x s		Clamp DCI x di	
							L1	L2	DIN EN ISO 1127 / ISO 4200 / DIN 11866 Series B	DIN 32676 Series B (ISO Tube)
6	-	RV50	83	243.5	16	9.9	10.2 x 1.6	52.5	-	-
8	-	RV50	83	243.5	16	8.3	13.5 x 1.6	52.5	25.0 x 10.3	81.1
10	-	RV50	83	243.5	21	11.4	17.2 x 1.6	52.5	25.0 x 14.0	81.1
15	-	RV50	83	243.5	26	14.4	21.3 x 1.6	52.5	50.5 x 18.1	81.1
20	-	RV70	125	272	32	17.6	26.9 x 1.6	68.5	50.5 x 23.7	97.1
25	-	RV110	171	302.5	38	20.2	33.7 x 2.0	90	50.5 x 29.7	118.6
32	-	RV110	171	302.5	56	33.8	42.4 x 2.0	90	64.0 x 38.4	118.6
40	-	RV110	171	302.5	56	30.9	48.3 x 2.0	90	64.0 x 44.3	118.6
50	-	RV110	171	302.5	62 (3C2S) 68 (4C2S)	30.9 (3C2S) 36.9 (4C2S)	60.3 x 2.0	90	77.5 x 56.3	118.6
							DIN 11850 Series 2 / DIN 11866 Series A		DIN 32676 Series A (DIN Tube)	
4	-	RV50	83	243.5	16	12	6.0 x 1.0	52.5	-	-
6	-	RV50	83	243.5	16	11	8.0 x 1.0	52.5	-	-
8	-	RV50	83	243.5	16	10	10.0 x 1.0	52.5	-	-
10	-	RV50	83	243.5	16	8.5	13.0 x 1.5	52.5	34.0 x 10.0	70.5
15	-	RV50	83	243.5	21	10.5	19.0 x 1.5	52.5	34.0 x 16.0	70.5
20	-	RV70	125	272	26	13.5	23.0 x 1.5	68.5	34.0 x 20.0	86.5
25	-	RV70	125	272	32	16.5	29.0 x 1.5	68.5	50.5 x 26.0	90
32	-	RV110	171	302.5	38	19.5	35.0 x 1.5	90	50.5 x 32.0	111.5
40	-	RV110	171	302.5	44	22.5	41.0 x 1.5	90	50.5 x 38.0	111.5
50	-	RV110	171	302.5	62	34.5	53.0 x 1.5	90	64.0 x 50.0	111.5
							ASME BPE / DIN 11866 Series C		ASME BPE	
8	1/4"	RV50	83	243.5	16	11.8	6.35 x 0.89	52.5	25.0 x 4.57	81.1
10	3/8"	RV50	83	243.5	16	10.2	9.53 x 0.89	52.5	25.0 x 7.75	81.1
15	1/2"	RV50	83	243.5	16	8.7	12.7 x 1.65	52.5	25.0 x 9.4	81.1
20	3/4"	RV50	83	243.5	21	10.5	19.05 x 1.65	52.5	25.0 x 15.75	81.1
25	1"	RV70	125	272	32	18.3	25.4 x 1.65	68.5	50.5 x 22.1	97.1
40	1 1/2"	RV110	171	302.5	44	24	38.1 x 1.65	90	50.5 x 34.8	118.6
50	2"	RV110	171	302.5	56	29.6	50.8 x 1.65	90	64.0 x 47.5	118.6

Dimensions for valve system On/Off Robolux Type 8806-DI [mm]

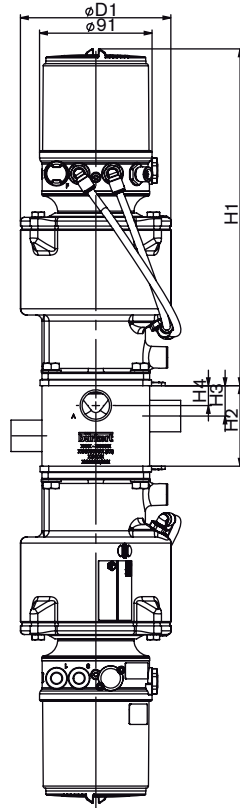
Type 8806-DI-T with body type 4C4S DFP and feedback head Type 8686 [mm]



DN [mm]	DN [Zoll]	Actuator size	øD1	H1	H2	H3	Weld end D x s		Clamp DCI x di		
							L1	L2	DIN EN ISO 1127 / ISO 4200 / DIN 11866 Series B		DIN 32676 Series B (ISO Tube)
6	-	RV50	83	243.5	28	14	10.2 x 1.6	52.5	-	-	
8	-	RV50	83	243.5	28	14	13.5 x 1.6	52.5	25.0 x 10.3	81.1	
10	-	RV50	83	243.5	34	17	17.2 x 1.6	52.5	25.0 x 14.0	81.1	
15	-	RV50	83	243.5	34	17	21.3 x 1.6	52.5	50.5 x 18.1	81.1	
20	-	RV70	125	272	48	24	26.9 x 1.6	68.5	50.5 x 23.7	97.1	
25	-	RV110	171	302.5	65	32.5	33.7 x 2.0	90	50.5 x 29.7	118.6	
32	-	RV110	171	302.5	65	32.5	42.4 x 2.0	90	64.0 x 38.4	118.6	
40	-	RV110	171	302.5	70	35	48.3 x 2.0	90	64.0 x 44.3	118.6	
50	-	RV110	171	302.5	70	35	60.3 x 2.0	90	77.5 x 56.3	118.6	
							DIN 11850 Series 2 / DIN 11866 Series A		DIN 32676 Series A (DIN Tube)		
4	-	RV50	83	243.5	28	14	6.0 x 1.0	52.5	-	-	
6	-	RV50	83	243.5	28	14	8.0 x 1.0	52.5	-	-	
8	-	RV50	83	243.5	28	14	10.0 x 1.0	52.5	-	-	
10	-	RV50	83	243.5	28	14	13.0 x 1.5	52.5	34.0 x 10.0	70.5	
15	-	RV50	83	243.5	34	17	19.0 x 1.5	52.5	34.0 x 16.0	70.5	
20	-	RV70	125	272	48	24	23.0 x 1.5	68.5	34.0 x 20.0	86.5	
25	-	RV70	125	272	48	24	29.0 x 1.5	68.5	50.5 x 26.0	90	
32	-	RV110	171	302.5	65	32.5	35.0 x 1.5	90	50.5 x 32.0	111.5	
40	-	RV110	171	302.5	70	35	41.0 x 1.5	90	50.5 x 38.0	111.5	
50	-	RV110	171	302.5	70	35	53.0 x 1.5	90	64.0 x 50.0	111.5	
							ASME BPE / DIN 11866 Series C		ASME BPE		
8	1/4"	RV50	83	243.5	28	14	6.35 x 0.89	52.5	25.0 x 4.57	81.1	
10	3/8"	RV50	83	243.5	28	14	9.53 x 0.89	52.5	25.0 x 7.75	81.1	
15	1/2"	RV50	83	243.5	28	14	12.7 x 1.65	52.5	25.0 x 9.4	81.1	
20	3/4"	RV50	83	243.5	34	17	19.05 x 1.65	52.5	25.0 x 15.75	81.1	
25	1"	RV70	125	272	48	24	25.4 x 1.65	68.5	50.5 x 22.1	97.1	
40	1 1/2"	RV110	171	302.5	70	35	38.1 x 1.65	90	50.5 x 34.8	118.6	
50	2"	RV110	171	302.5	70	35	50.8 x 1.65	90	64.0 x 47.5	118.6	

Dimensions for valve system On/Off Robolux Type 8806-DI [mm]

Type 8806-DI-T with body type 4C4S CF and feedback head Type 8686 [mm]



DN [mm]	DN [Zoll]	Actuator size	øD1	H1	H2	H3	H4	L5	Weld end D x s			Clamp DCI x di		
									L1	L3	DIN EN ISO 1127 / ISO 4200 / DIN 11866 Series B	L2	L4	DIN 32676 Series B (ISO Tube)
6	-	RV50	83	243.5	40	18.5	11.5	20.5	10.2 x 1.6	52.5	52.5	-	-	-
8	-	RV50	83	243.5	42	19	9.9	13.6	13.5 x 1.6	52.5	52.5	25.0 x 10.3	81.1	81.1
10	-	RV50	83	243.5	50	21.5	12	18.2	17.2 x 1.6	52.5	52.5	25.0 x 14.0	81.1	-
15	-	RV50	83	243.5	58	25.5	11.7	12.2	21.3 x 1.6	52.5	52.5	50.5 x 18.1	81.1	81.1
20	-	RV70	125	272	67	25.5	15.2	27.8	26.9 x 1.6	68.5	68.5	50.5 x 23.7	97.1	97.1
25	-	RV110	171	302.5	91	35	24.2	40.1	33.7 x 2.0	90	90	50.5 x 29.7	118.6	118.6
32	-	RV110	171	302.5	106	42	22.5	44	42.4 x 2.0	90	91.5	64.0 x 38.4	118.6	-
40	-	RV110	171	302.5	120	46.5	26	47.1	48.3 x 2.0	90	98.2	64.0 x 44.3	118.6	126.8
50	-	RV110	171	302.5	147	53.5	32	53.1	60.3 x 2.0	90	110.2	77.5 x 56.3	118.6	138.8
									DIN 11850 Series 2 / DIN 11866 Series A			DIN 32676 Series A (DIN Tube)		
4	-	RV50	83	243.5	40	18.5	13	22	6.0 x 1.0	52.5	52.5	-	-	-
6	-	RV50	83	243.5	40	18.5	12	21	8.0 x 1.0	52.5	52.5	-	-	-
8	-	RV50	83	243.5	40	18.5	11	20	10.0 x 1.0	52.5	52.5	-	-	-
10	-	RV50	83	243.5	40	19	9	19	13.0 x 1.5	52.5	52.5	34.0 x 10.0	81.1	81.1
15	-	RV50	83	243.5	54	23.5	11.9	13.3	19.0 x 1.5	52.5	52.5	34.0 x 16.0	81.1	81.1
20	-	RV70	125	272	62	22.5	17	26	23.0 x 1.5	68.5	68.5	34.0 x 20.0	86.5	86.5
25	-	RV70	125	272	73	27.5	16.5	29	29.0 x 1.5	68.5	69.5	50.5 x 26.0	90	91
32	-	RV110	171	302.5	95	37	23	41	35.0 x 1.5	90	90	50.5 x 32.0	111.5	111.5
40	-	RV110	171	302.5	104	41.5	22	33	41.0 x 1.5	90	91	50.5 x 38.0	111.5	112.5
50	-	RV110	171	302.5	134	50.5	30	50	53.0 x 1.5	90	103.5	64.0 x 50.0	111.5	125
									ASME BPE / DIN 11866 Series C			ASME BPE		
8	1/4"	RV50	83	243.5	40	18.5	12.5	21.7	6.35 x 0.89	52.5	52.5	25.0 x 4.57	81.1	81.1
10	3/8"	RV50	83	243.5	40	18.5	11	20.1	9.53 x 0.89	52.5	52.5	25.0 x 7.75	81.1	81.1
15	1/2"	RV50	83	243.5	40	8.5	10.3	13.2	12.7 x 1.65	52.5	52.5	25.0 x 9.4	81.1	81.1
20	3/4"	RV50	83	243.5	53	22.5	12	13.4	19.05 x 1.65	52.5	52.5	25.0 x 15.75	81.1	81.1
25	1"	RV70	125	272	65	24.5	16	27	25.4 x 1.65	68.5	68.5	50.5 x 22.1	97.1	97.1
40	1 1/2"	RV110	171	302.5	98	39	21.6	42.4	38.1 x 1.65	90	90	50.5 x 34.8	118.6	118.6
50	2"	RV110	171	302.5	126	48.5	27.7	48.7	50.8 x 1.65	90	101	64.0 x 47.5	118.6	129.6

Note
You can fill out the fields directly in the PDF file before printing out the form.

Robolux valves – request for quotation

▶ Please fill out and send to your nearest Bürkert facility* with your inquiry or order

Company	Contact person
Customer no.	Department
Address	Tel./Fax
Postcode/town	E-Mail

= mandatory fields to fill out Quantity Required delivery date

Operating data	
Pipe line	DN <input type="text"/> PN <input type="text"/>
Pipe material	<input type="text"/>
Process medium	<input type="text"/>
Type of media	<input type="checkbox"/> Liquid <input type="checkbox"/> Steam <input type="checkbox"/> Gas <input type="checkbox"/> CIP <input type="checkbox"/> SIP

Valve features	
Surface finish	<input type="checkbox"/> Standard Ra 0,6 Int <input type="text"/> other internal <input type="text"/> other external
Seal material	<input type="checkbox"/> EPDM <input type="checkbox"/> advanced PTFE <input type="text"/> other
Medium pressure	Pmed <input type="text"/>
Orifice	DN <input type="text"/>
Type of connection	<input type="checkbox"/> Weld end <input type="checkbox"/> Clamp <input type="text"/> other
Standard connection	<input type="checkbox"/> ISO <input type="checkbox"/> DIN R2 <input type="checkbox"/> ASME BPE <input type="text"/> other
Pilot pressure	<input type="text"/> min. <input type="text"/> max.
Please specify item no. if known: <input type="text"/>	

Valve features	
Specification key (automatically transferred from p. 10)	<input type="text" value="2036"/> <input type="text"/> <input type="text"/> <input type="text"/> <input type="text"/> <input type="text"/> <input type="text"/> <input type="text" value="SS"/> <input type="text"/> <input type="text"/> <input type="text" value="FA07"/> <input type="text"/>

Control unit features	
<input type="checkbox"/> Position Feedback Head Type 8685	<input type="checkbox"/> Control Head Type 8686
Position feedback <input type="checkbox"/> 2x inductive <input type="checkbox"/> 2x inductive Namur	Position feedback <input type="checkbox"/> 2x inductive <input type="checkbox"/> 2x inductive Namur
Communication <input type="checkbox"/> ASI <input type="checkbox"/> Flat cable clip, 1 m cable	Communication <input type="checkbox"/> ASI <input type="checkbox"/> Flat cable clip, 1 m cable
Supply voltage <input type="checkbox"/> 24 V / DC <input type="checkbox"/> 8V (Namur) <input type="checkbox"/> PTB 13 ATEX D103 X II 2G c IIC T4 II 2D c T135°C	Supply voltage <input type="checkbox"/> 24 V / DC <input type="checkbox"/> 8V (Namur) <input type="checkbox"/> PTB 13 ATEX D103 X II 2G c IIC T4 II 2D c T135°C
Please specify item no. if known: <input type="text"/>	Please specify item no. if known: <input type="text"/>

DTS 1000215411 EN Version: B. validé) printed: 23.05.2014 Status: RL (released | freigegeben |

Specification key (other versions and valve blocks on request)

Example **32R** **50** **AD** **VH** **SA42** **SS** **D 11** **D 11** **FA07** **NO23**

Specification key **SS** **FA07**

Please make a choice

Connections-Seats	
32R	3C2S 3 Connections 2 seats
42R	4C2S 4 Connections 2 seats
44C	4C4S CF 4 Connections 4 seats Cross Flow
44D	4C4S DFP 4 Connections 4 seats Double Flow Path

Actuators*	
50	actuator RV50
70	actuator RV70
11	actuator RV110

***Remark:** The actuator size depends on the size of the port connection (see p. 17)

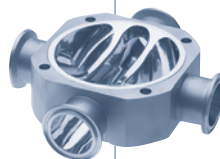
Diaphragm material	
AD	EPDM
EK	advanced PTFE

Others on request

Body material	
VH	stainless steel 1.4435, AISI 316L

Other body materials on request,
VI stainless steel 1.4435-BN2, AISI 316L-ASME BPE

Port connections
Continued on p. 17



Variable codes	
Surface finish external	
Ra <= 1,6 µm (not polished)	Standard
electropolished Ra <= 1,6 µm	
NO15	electropolished Ra ≤ 0.8 µm
Surface finish internal	
NO06	mechanical polished Ra ≤ 0.8 µm
NO23	mechanical polished Ra ≤ 0.6 µm
NO21	mechanical polished Ra ≤ 0.4 µm
NO16	electropolished Ra ≤ 0.6 µm
NO17	electropolished Ra ≤ 0.4 µm

Actuators lower side*	
D	double actuator
000	without actuator
1	Seat closed by spring force
2	Seat opened by spring force
5	Seat closed by reduced spring force

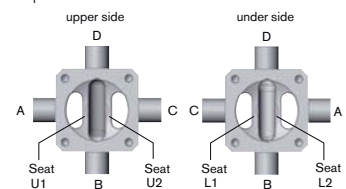
Actuators upper side*	
D	double actuator
1	Seat closed by spring force
2	Seat opened by spring force
5	Seat closed by reduced spring force

- Actuator upper side (example)
D11 = Seat U1 and U2 normally closed by spring action
D21 = Seat U1 normally open and U2 normally closed by spring action

- Actuator lower side
Same option is available for the lower side.

Please refer to the section *Valve symbols and flow patterns* p. 3 for more details.

Example:



(orientation of the ports A-B-C-D counter clockwise)

(orientation of the ports A-B-C-D clockwise)

Specification key, continued (other versions and valve blocks on request)

Port connection weld end

Orifice DN [mm]	DIN EN ISO1127 / ISO 4200 / DIN 11866 series B	DIN 11850 series 2 / DIN11866 series A	ASME BPE / DIN 11866 Series C
Port connections for valves with actuator size RV50			
4		SC40=6x1.0	
6	SA78=10.2x1.6	SC41=8x1.0	
8	SA40=13.5x1.6	SC42=10x1.0	SA90=6.35x0.89
10	SA41=17.2x1.6	SD40=13x1.5	SA91=9.53x0.89
15	SA42=21.3x1.6	SD42=19x1.5	SA92=12.7x1.65
20			SA93=19.05x1.65
Port connections for valves with actuator size RV70			
20	SA43=26.9x1.6	SD43=23x1.5	
25		SD44=29x1.5	SODF=25.4x1.65
Port connections for valves with actuator size RV110			
25	SA44=33.7x2.0		
32	SA45=42.4x2.0	SD45=35x1.5	
40	SA46=48.3x2.0	SD46=41x1.5	SODH=38.1x1.65
50	SA47=60.3x2.0	SD47=53x1.5	SODI=50.8x1.65

DTS 1000215411 EN Version: B validé printed: 23.05.2014 Status: RL (released | freigegeben |

* To find your nearest Bürkert facility, click on the orange box → www.burkert.com

In case of special application conditions, please consult for advice.

Subject to alteration.
© Christian Bürkert GmbH & Co. KG

1405/1_EU-en_00895190