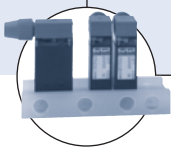


2/2 or 3/2-way Miniature Rocker Solenoid Valve



Type 0127 can be combined with...



Manifolds



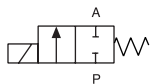
Type 1054

Cable plug

- With isolating diaphragm
- Minimal internal volume and ultra low dead volume
- High back-pressure tightness
- Suitable for aggressive fluids
- NC, NO or universal circuit function
- Compact 16 mm design

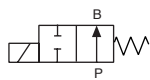
Bürkert's unique miniature rocker solenoid valve is the pioneer of isolated mini valves suitable for laboratory, medical and analysis technology, that still set the standard! It is a highly reliable minimum volume valve that has low dead volume and is easy to purge. Boasting an inert isolating diaphragm between the actuator and body, it is operated via a rocker that separates the actuator from the fluid. Heat transfer between the actuator and the fluid is minimized due to the coil not having direct contact with the diaphragm. The valves can be manifold mounted and a simplified common wiring system is available if required. Special dead volume free designs are also obtainable on request.

Circuit function A



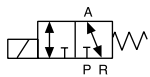
2/2-way valve,
direct-acting,
normally closed

Circuit function B



2/2-way valve,
direct-acting,
normally open

Circuit function T

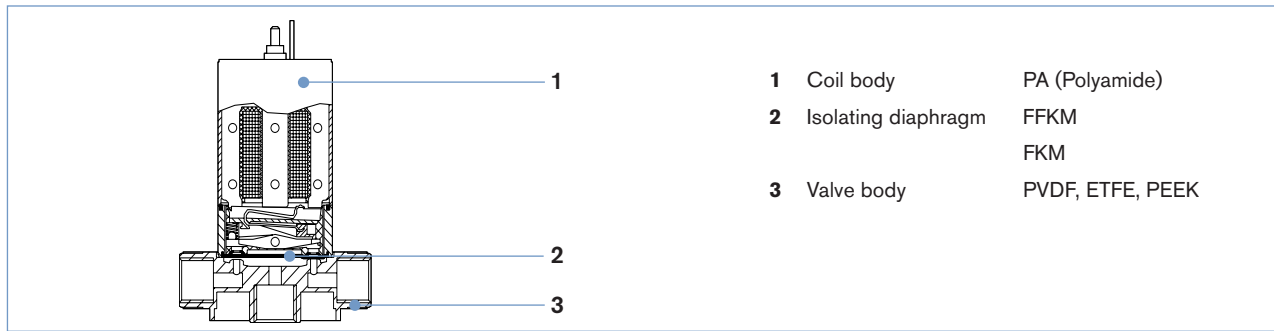


3/2-way valve,
direct-acting,
universal functions

Technical data	
Orifice	DN 1.5 - 1.6 mm
Body material	PVDF, ETFE, PEEK
Seal material, media	FFKM, FKM, Resistant to neutral and aggressive liquids and gases, see Burkert chemical resistance chart
Media temperature	
FFKM	0 to +50 °C
FKM	0 to +60 °C
Ambient temperature	max. +55 °C
Internal volumes	Depending on body
with sub-base	68 µl
with G 1/8, NPT 1/8	85 µl
with UNF 1/4" - 28	30 µl
on request	< 10 µl
Operating voltage	12/24 V/DC; 24 V/UC
Power consumption	3.4 W
Voltage tolerance	±10%
Duty cycle	100% continuous rating
Manifold mounting	If media or ambient temperatures are above +40 °C: intermittent operation 40% (10 min)
Electrical connection	<ul style="list-style-type: none"> ▪ Cable plug Type 1054 (supplied as standard) ▪ Two FEP-leads 0.2 mm², length 500 mm
Protection class	IP 54 with flying leads and single cable plug
Installation	As required, preferably with actuator upright

Response times	According to ISO 12238:2001; Measured at valve outlet with air at 2 bar and +20 °C
Open	approx. 25 ms (Pressure rise 0 to 10%)
Closing	approx. 25 ms (Pressure drop 100 to 90%)

Materials



Ordering chart for valves (other versions on request)

Circuit function	Orifice	Port connection ¹⁾	Kv valve water [m ³ /h] ²⁾	Pressure range [bar] ³⁾	Back pressure	Seal material	Body material	Electrical connection	Voltage/frequency [V/Hz] ⁴⁾	Item no.	
A 2/2-way valve, direct acting, normally closed	1.5	UNF 1/4" - 28	0.039	0-2	1	FFKM	ETFE	leads, 0.5m	12/DC	121 783	
								leads, 0.5m	24/DC	120 680	
	1.6	G 1/8	0.06	0-2	2	FFKM	PVDF	cable plug	24/UC	079 228	
								cable plug	12/DC	078 293	
		NPT 1/8	0.06	0-2	2	FFKM	PVDF	leads, 0.5m	24/DC	120 677	
								cable plug	24/UC	017 863	
		Sub-base	0.039	0-2	2	FKM	PVDF	cable plug	24/UC	077 810	
								cable plug	12/DC	121 785	
			Tube connection	0.039	0-2	1	FFKM	PVDF	leads, 0.5m	24/DC	121 786
									cable plug	24/UC	121 777
B 2/2-way valve, direct-acting, normally open	1.5	UNF 1/4" - 28	0.039	0-2	1	FFKM	ETFE	leads, 0.5m	12/DC	122 378	
								leads, 0.5m	24/DC	120 681	
	1.6	G 1/8	0.06	0-2	2	FFKM	PVDF	cable plug	24/UC	079 229	
								cable plug	12/DC	078 294	
		NPT 1/8	0.06	0-2	2	FFKM	PVDF	leads, 0.5m	24/DC	120 678	
								cable plug	24/UC	017 864	
		Sub-base	0.039	0-2	2	FKM	PVDF	cable plug	24/UC	077 811	
								cable plug	12/DC	122 885	
			Tube connection	0.039	0-2	1	FFKM	PVDF	leads, 0.5m	24/DC	122 380
									cable plug	24/UC	079 227
T 3/2-way valve, direct-acting, universal functions	1.5	UNF 1/4" - 28	0.039	0-2	1	FFKM	ETFE	leads, 0.5m	12/DC	121 784	
								cable plug	24/DC	078 303	
	1.6	G 1/8	0.06	0-2	2	FFKM	PVDF	leads, 0.5m	24/DC	120 682	
								cable plug	24/UC	079 206	
		NPT 1/8	0.06	0-2	2	FFKM	PVDF	cable plug	12/DC	078 290	
								cable plug	24/DC	120 679	
		Sub-base	0.039	0-2	2	FKM	PVDF	cable plug	24/UC	073 606	
								cable plug	24/UC	017 629	
			Tube connection	0.039	0-2	1	FFKM	PVDF	leads, 0.5m	24/DC	121 781
									cable plug	24/UC	077 812
Tube connection		0.039	0-2	1	FFKM	PVDF	cable plug	24/UC	121 788		
							cable plug	12/DC	121 789		
		leads, 0.5m	24/DC	121 787	121 786						
						leads, 0.5m	24/DC	120 685			
		cable plug	24/UC	078 945							

¹⁾ Tube and UNF connection on request.

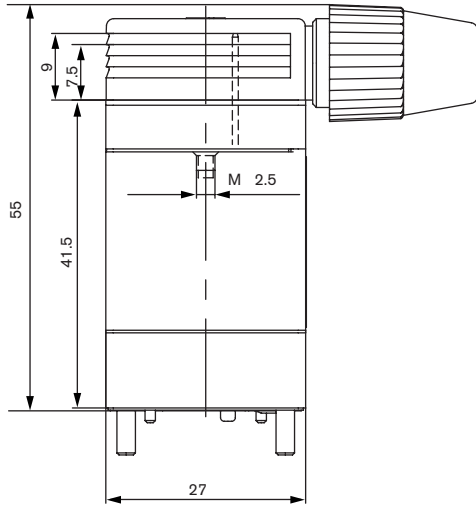
²⁾ Measured at +20 °C, 1 bar pressure at valve inlet and free outlet

³⁾ Gauge pressures with respect to the prevailing atmosphere pressure

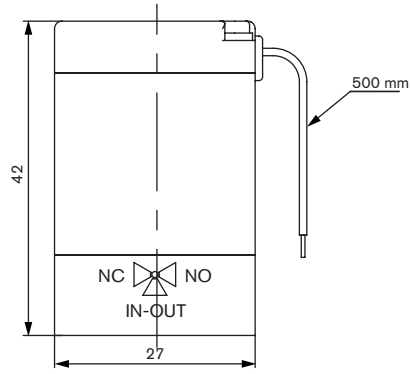
⁴⁾ The rectifier, LED and varistor are integrated in the universal current versions (UC).

Dimensions [mm]

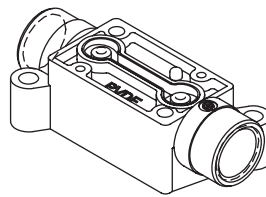
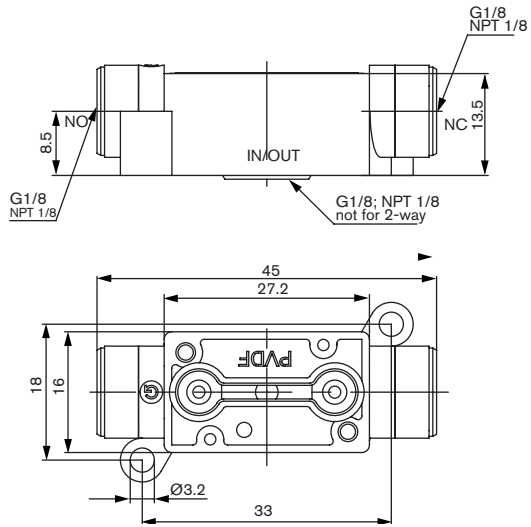
Coil with cable plug Type 1054



Coil with flying leads

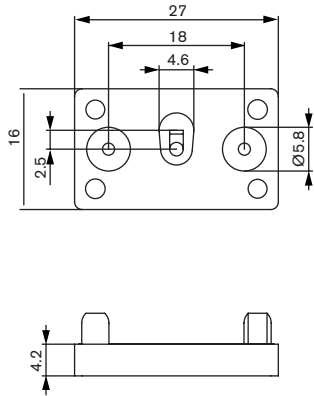


Body with threaded connection

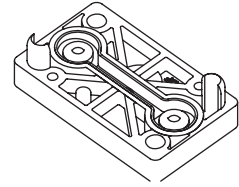
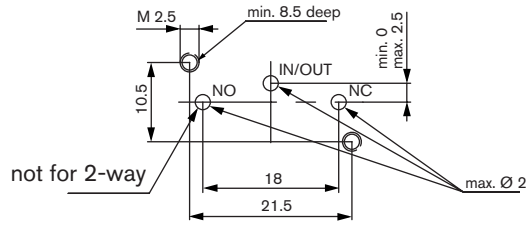


Dimensions [mm]

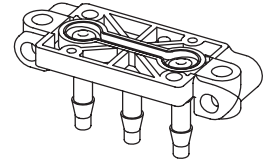
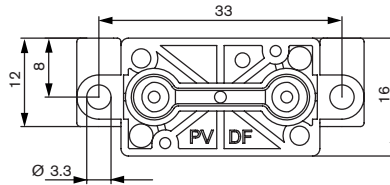
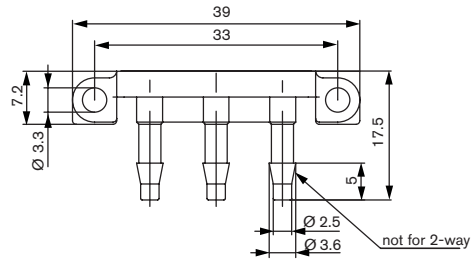
Sub-base body



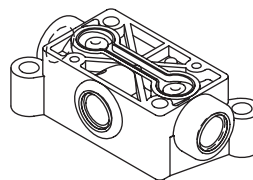
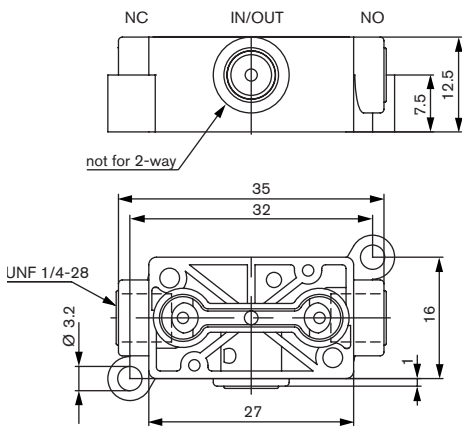
Interface for manifold



Body with tube connection



Body with UNF 1/4" - 28



To find your nearest Bürkert facility, click on the orange box →

www.burkert.com

In case of special application conditions, please consult for advice.

We reserve the right to make technical changes without notice.
© Christian Bürkert GmbH & Co. KG

0801/3_EU-en_00891603