

2/2-way Solenoid Valve for combustible gases, 0–150mbar



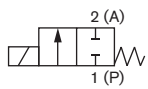
Type 0293 can be combined with...



Type 2508

Cable plug

Type 293 switches without pressure change from zero bar. The direct acting solenoid feed valve is delivered with circuit function A. It is normally closed. Upon switching the magnetic core is tightened against the spring and the valve opens. A filter is built-in to the inlet. The valve is especially good for switching low-pressure combustible gases.



Servo-assisted 2/2-way valve, direct acting, normally closed

- Direct acting (normally closed) Solenoid Valve
- Vibration resistant screw block coil construction
- Seal and diaphragm according to DIN EN 549
- Integrated filter

Technical data	
Body material	Brass
Inner part valve	1.4105:1.4571
Seal materials	NBR
Medium for NBR	Flammable liquids such as gas, natural gas, liquid petroleum gas (LPG), acetylene, hydrogen
Medium temperature for NBR	-15 to +60 °C
Ambient temperature.	-15 to +60 °C
Ambient	Also open air (open cover recommended)
Port connection	Threaded ports G 3/4 and G1
Special features	Sieve in inlet
Operating voltages	230 V/50 Hz 230 V/UC
Voltage tolerance	±10%
Cycling rate	ca. 100-150/min for AC ca. 10-15/min for UC
Duty cycle	100% continuous rating
Electr. Connection	Cable plug for Ø 7 mm cable (included in delivery)
Protection class	IP 65 with cable plug
DVGW Approval	Group 2, class A
Fulfilled standards	DIN EN 161
Installation	As required, preferably with actuator upright

Further Technical Data

Orifice [mm]	Port Connection	Kv-value water [m ³ /h]	Pressure range [mbar] [Response times		Power consumption				Weight [kg]
				Opening [ms]	Closing [ms]	Inrush AC [VA]	UC [W]	[VA] AC [VA/W]	UC [W]	
20	G 3/4	5.0	0 - 150	130	120	100	100	25/16	9	1.2
25	G 1	10.0	0 - 150	up to 250	up to 150	up to 120			1.7	

Flowrate: Kv value water [m³/h]

measured at +20°C, 1 bar pressure at valve inlet and free outlet

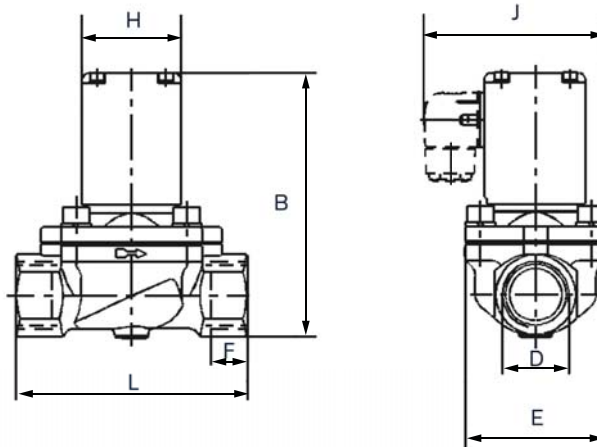
Pressure values [bar]

Overpressure with respect to atmospheric pressure

Measured at valve outlet at 6 bar and +20 °C

Opening	Pressure rise 0 to 90%,
Closing	pressure relief 100 to 10%

Dimensions [mm] (other versions on request)



DN	D	B	E	F	H	J	L
20	G 3/4	122	60	16	49	86.5	100
25	G 1	131	70	18	49	91.5	115

Ordering chart for valves (other versions on request)

All valves with brass body and cable plug

Circuit function	Orifice [mm]	Port connection	Kv-value water [m ³ /h]	Q _{Nn} value air [l/min]	Pressure range [bar]	Remarks	Seal material	Coil power [W]	Voltage/Frequency [V/Hz]	Item no.
A	20.0	G 3/4	5.0	5400	0 - 0.15	-	NBR	16	230/50	079 637
						noise reduced		9	230/UC	124 302
	25.0	G 1	10.0	10800	0 - 0.15	-	NBR	16	230/50	077 577
						noise reduced		9	230/UC	124 901

- All electric versions (UC) with integrated rectifier

To find your nearest Bürkert facility, click on the orange box →

www.burkert.com