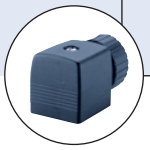


- Seat valve, direct-acting
- Wide range of applications
- Port connection size up to G 1/2
- Brass or stainless steel valve body

Type 0256 can be combined with...



Type 2508

Cable plug



Type 1078

Timer unit

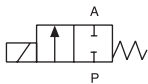


Type 2511

ASI cable plug

This direct-acting plunger solenoid valve Type 0256 can be used in many ways. It is delivered with brass or stainless steel bodies for a wide range of orifices and connections.

Circuit function A



2/2-way valve, normally closed by spring force

Technical data	
Orifice	DN 3.0 - 12.0 mm
Body material	Brass (Body C with stainless steel seat 1.4112) or stainless steel 1.4581
Seal material	NBR, FKM, EPDM, steel on request
Media	NBR FKM All materials
Media temperature	NBR (EPDM on request) FKM
	-10 to +80 °C -10 to +130 °C
Ambient temperature	Max. +55°C
Viscosity	Max. 21 mm ² /s
Voltage tolerance	± 10%
Duty cycle	100% continuous rating
Electrical connection	Cable plug for Ø 7 mm cable (supplied as standard) *
Protection class	IP 65 with cable plug
Installation	As required, preferably with actuator upright
Flow rate	measured at +20°C, 1 bar pressure at valve inlet and free outlet
Kv value water [m ³ /h]	
Pressure valves [bar]	gauge pressures with respect to the prevailing atmosphere pressure
Response times [ms]	measured with water at valve outlet at 6 bar and +20°C
Opening	pressure build-up 0 to 90%
Closing	pressure decay 100 to 10%

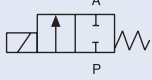
* cable plug Type 2508 (supplied as standard) acc. to DIN EN 175 301-803, Form A

Technical data

Orifice [mm]	Power consumption			Response times				Weight
	Inrush	Hold		Opening		Closing		
	AC [VA]	AC [VA/W]	DC [W]	AC [ms]	DC	AC [ms]	DC	
3 to 12	35-40	16/10	approx. 12	10-20	20-80	20-30	20-30	0.6

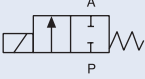
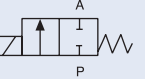
Ordering chart for valves (other versions on request)

Valves A, B, C with brass body, DN 3.0 to 12.0 mm, with cable plug, without mounting bracket (see Accessories)
Body C with stainless steel seat 1.4112

Circuit function	Orifice [mm]	Port connection [D]	Kv value water [m ³ /h]	Pressure range for gases [bar]	Pressure range for liquids [bar]	Body version (please see drawing)	Seal material	Voltage/frequency [V/Hz]	Item no.	
 2/2-way valve NC	3.0	G 1/4	0.25	0 - 10	0 - 10	C	NBR	024/DC	145 725	
				0 - 22	0 - 22	C	NBR	230/50	145 803	
	4.0	G 1/4	0.5	0 - 6	0 - 6	C	NBR	024/DC	145 727	
				0 - 16	0 - 12	C	NBR	024/50	145 728	
									110/50	145 730
				0 - 13	0 - 10	C	NBR	230/50-60	121 566	
				0 - 16	0 - 12	C	NBR	230/50	145 731	
				0 - 6	0 - 6	C	FKM	024/DC	145 739	
				0 - 16	0 - 12	C	FKM	230/50	145 740	
				0 - 6	0 - 6	C	NBR	024/DC	145 733	
	4.0	G 3/8	0.5	0 - 16	0 - 12	C	NBR	024/50	145 734	
				0 - 16	0 - 12	C	NBR	110/50	145 735	
									230/50	145 736
				0 - 2.5	0 - 2.5	C	NBR	024/DC	145 747	
				0 - 12	0 - 6	C	NBR	024/50	145 748	
									110/50	145 749
									230/50	145 750
				0 - 2.5	0 - 2.5	C	NBR	024/DC	145 752	
	4.0	G 3/8	0.65	0 - 12	0 - 6	C	NBR	024/50	145 753	
									110/50	145 754
									230/50	145 755
				0 - 2	0 - 2	B	NBR	024/DC	145 760	
				0 - 8	0 - 4	B		230/50	145 763	
						C	FKM	024/50	145 774	
							NBR	024/50	145 761	
				0 - 2	0 - 2	C		024/DC	145 759	
	4.0	G 3/8	8.0			C		110/50	145 762	
						C		230/50	145 764	
0 - 8				0 - 4	C	FKM	024/50	145 775		
					B	FKM	230/50	145 804		
0 - 2				0 - 2	C	NBR	024/DC	145 766		
0 - 8				0 - 4	C	NBR	024/50	145 767		
								110/50	145 768	
								230/50	145 769	

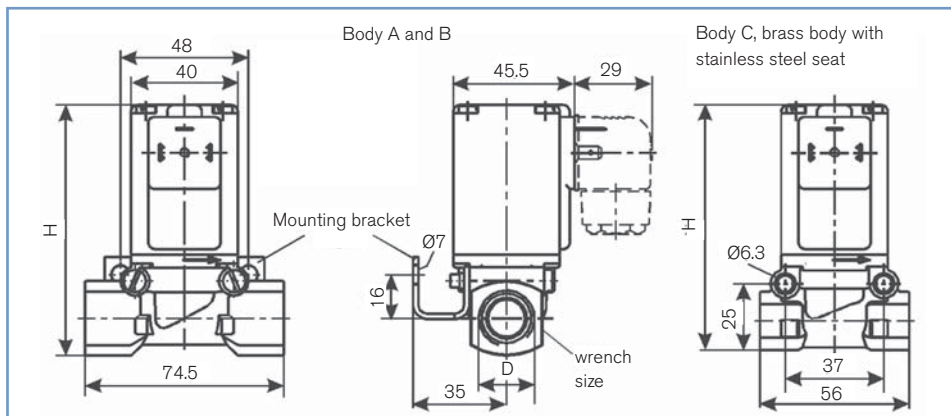
Note: The pressure values for liquids are shown on the rating plates! For mounting brackets, please refer to the accessories for Type 0256.

Ordering chart for valves (other versions on requests)

Circuit function	Orifice [mm]	Port connection [D]	Kv value water [m ³ /h]	Pressure range for gases [bar]	Pressure range for liquids [bar]	Body (please see drawing)	Seal material	Voltage/frequency [V/Hz]	Item no. EPDM diaphragm material	
 2/2-way valve NC	6.0	G 1/2	0.8	0-2	0-2	A	FKM	024/DC	145 776	
							NBR	024/DC	145 771	
								230/50	145 772	
	8.0	G 3/8	0.9	0-0.5	0-0.5	C	C	NBR	024/DC	145 778
									024/50	145 779
									110/50	145 780
									230/50	145 781
	10	G 1/2	1.5	0 - 0.4	0 - 0.4	A	A	FKM	024/DC	145 806
									024/50	145 792
									024/DC	145 788
									024/50	145 789
									110/50	145 790
12.0	G 1/2	1.8	0 - 1	0 - 0.5	A	A	FKM	230/50	145 801	
								024/DC	145 796	
								024/50	145 797	
								110/50	145 798	
								230/50	145 799	
All valves with stainless steel body A und B; DN 4, 10 and 12; 1.4581, with cable plug, without mounting bracket (see Accessories)										
 A 2/2-way valve NC	4.0	G 1/4	0.5	0 - 6	0 - 6	B	FKM	024/DC	145 742	
	10.0	G 1/2	1.5	0 - 1.5	0 - 1	A	FKM	024/50	145 793	
	12.0	G 1/2	1.8	0 - 1	0 - 0.5	A	FKM	230/50	145 802	

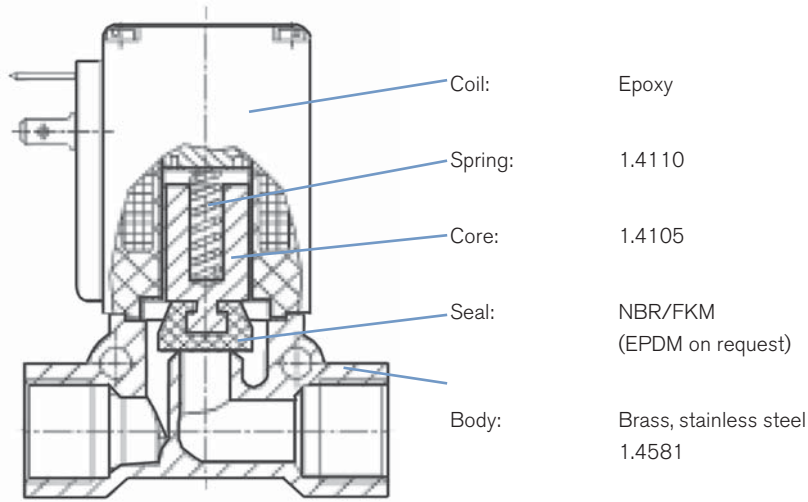
Note: valves with high-power electronic for increased pressures on request

Dimensions [mm]



Body	Body material	Connection D	H [mm]	wrench size [mm]
A	Brass, stainless steel body without bore hole mounting	G 1/2	95.5	27
B	Brass body with bore hole mounting	G 1/4, G 3/8	91	22
B	Stainless steel body without bore hole mounting	G 1/4	92	22
C	Brass body with bore hole mounting	G 1/4, G 3/8	92	22

Materials

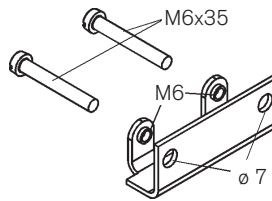


Mounting set (only for brass body)

- 2 M6 x 35 cheesehead screws
- 1 mounting bracket

Valve mounted using mounting kit
Refer to the dimensional drawings for the valve

37 mm separation between the M6 threaded holes
48 mm separation between the Ø7 bores



Item no. 151 287

To find your nearest Bürkert facility, click on the orange box → www.burkert.com

In case of special application conditions, please consult for advice.

We reserve the right to make technical changes without notice

0606/2_EN-en_00891615