



3/2-way Solenoid Valve for high temperatures, G 1/4

- Seat valve direct acting
- Media temperature up to +180 °C
- Push-over solenoid system
- For gases and fluids

Type 0355 can be combined with...



Type 2508
Cable plug



Type 1078
Timer unit



Type 2511
ASI cable plug

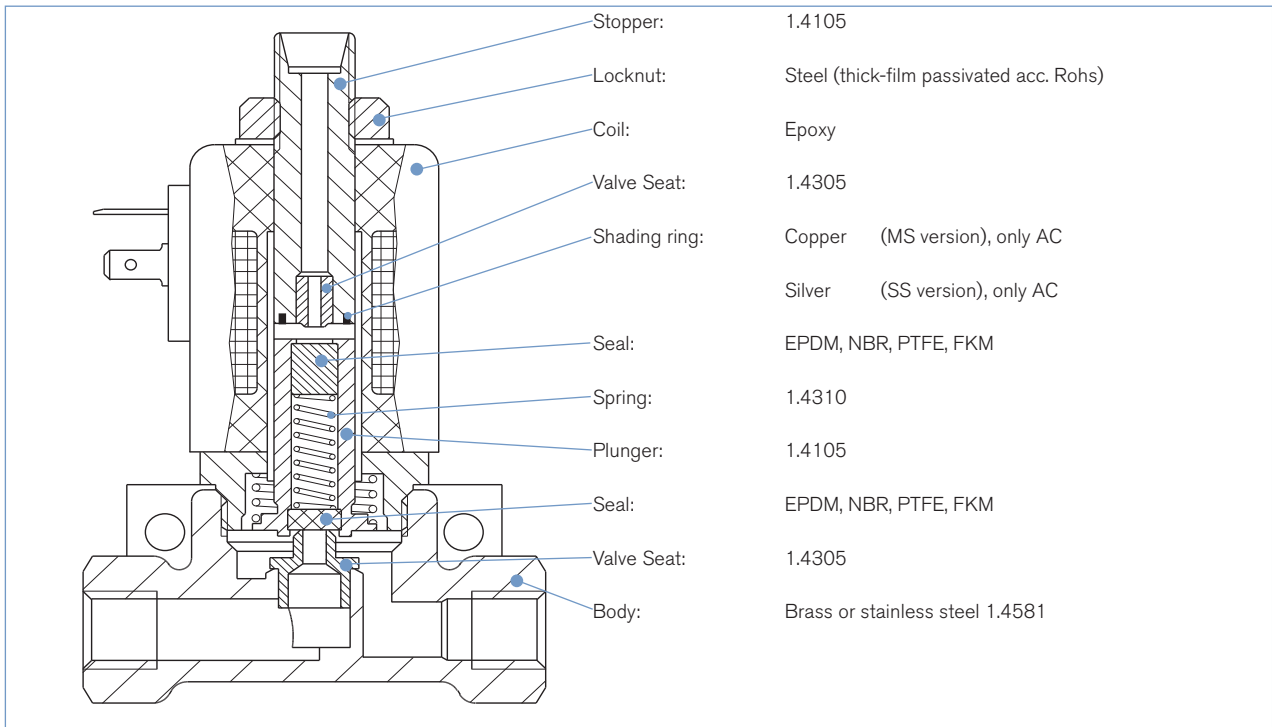
Direct-acting plunger solenoid Type 355 for neutral gases and liquids.
Also suitable for high temperatures, such as hot water, hot air, steam.

Technical data	
Orifice	DN 2.0 - 4.0
Body materials	Brass with stainless steel seat 1.4305, Stainless steel 1.4581
Coil material	Epoxy
Coil insulation class	H
Inner part of valve	Stainless steel
Seal material	NBR, FKM, PTFE, EPDM
Media	NBR EPDM FKM PTFE Neutral fluids, hydraulic oil, oil without additives Oil and fat-free fluids Per-solutions, hot oils with additives Steam, organic solvents
Media temperature	NBR -10 to + 90 °C EPDM -40 to +130 °C FKM 0 to +130 °C PTFE -40 to +180 °C
Ambient temperature	Max. +55 °C
Voltage tolerance	±10%
Duty cycle	100% continuous rating
Electrical connection	Tag connector acc. to DIN EN 175301-803 Form A (previously DIN 43650) for cable plug Type 2508 (supplied as standard)
Protection class	IP 65 with cable plug
Installation	As required, preferably with actuator upright

Power consumption

Inrush AC [VA]	Hold (hot coil)	
	AC [VA/W]	DC [W]
35-40	16/10	ca. 12

Materials



Ordering chart for valves (other versions on request)

Brass or stainless steel body, all valves with cable plug

Circuit function	Port connection	Orifice [mm]	Kv value water [m ³ /h]	Pressure range [bar]	Seal material	Item no. per voltage/frequency [V/Hz]			
						024/DC	024/50	230/50	
C 3/2-way, valve NC 	Brass body								
	G 1/4	2.0	0.11	0-16	EPDM	-	-	066 007	
					NBR	043 089	026 069	068 078	
		3.0	0-14	PTFE	062 188	049 998	049 025		
				FKM	064 392	-	126 056		
			0-10	NBR	068 557	017 668	061 174		
				PTFE	052 665	067 817	054 885		
	4.0	0-8	FKM	-	-	046 655			
			NBR	061 104	019 095	061 019			
	0-5	PTFE	052 078	065 552	058 403				
		Stainless steel body							
	G 1/4	4.0	0.4	0-5	PTFE	-	-	021 253	
FKM					-	-	066 759		

• Valves with brass body have a pressed in stainless steel seat 1.4305.

i Further versions on request

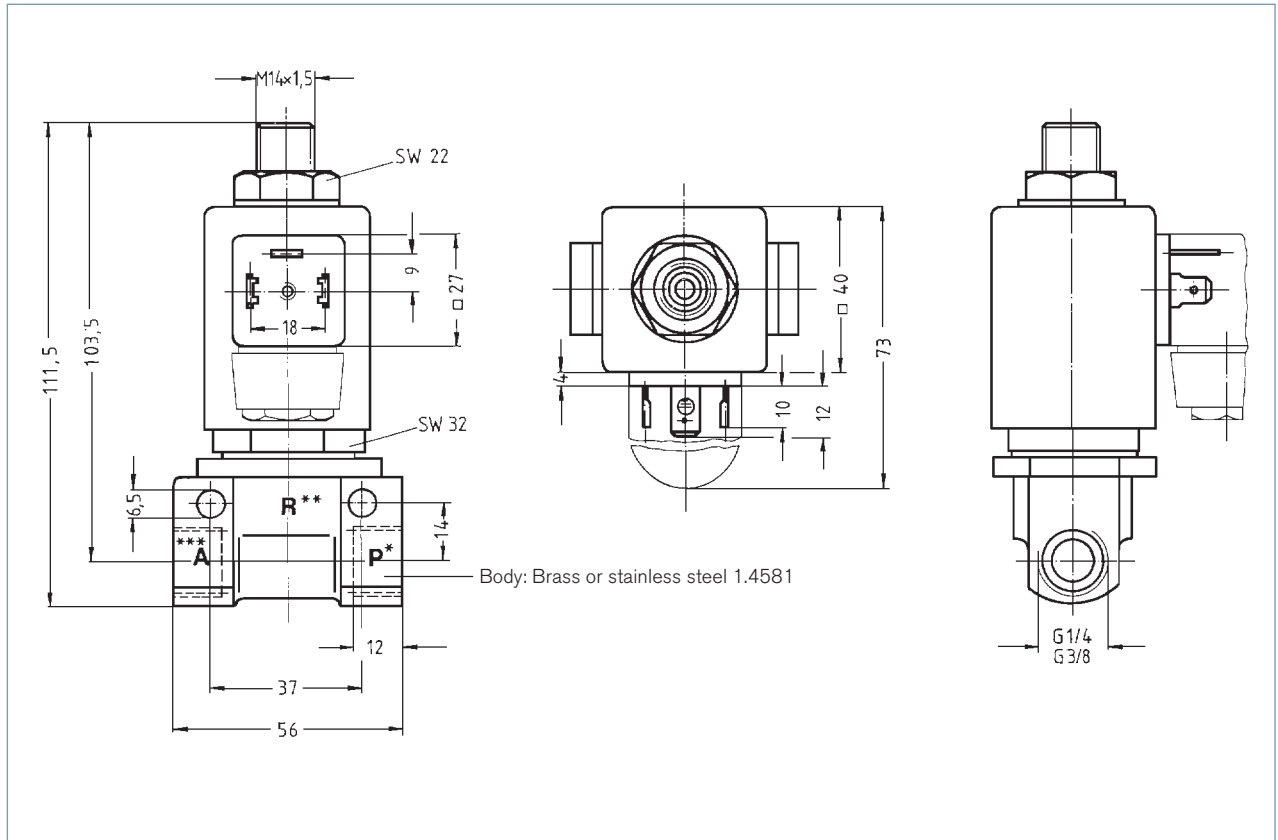
Circuit function
Circuit functions D and E on request

Material
Further valve combinations (body and seal material)

Voltage
110/50, 240/50, non-standard voltages

Approvals
UL, UR, CSA

Dimensions [mm]



To find your nearest Bürkert facility, click on the orange box →

www.burkert.comIn case of special application conditions,
please consult for advice.Subject to alteration.
© Christian Bürkert GmbH & Co. KG

0810/2_EU-en_00891628