



Type 0223 can be combined with...



Type 2508

Cable plug



Type 1078

Timer unit

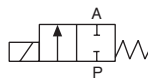
2/2-way Solenoid Valve for neutral media

- Direct acting
- With hermetic isolation of fluid
- With manual override
- NC and NO circuit function
- Optional with electrical position feedback

The direct-acting valve, Type 0223, is delivered with circuit function, normally closed and normally open. The solenoid actuator is separated from the medium by a double PTFE seal with a small ventilated space. The valve is used for shut-off, dosing, filling and ventilating medium where low pressures are applicable; also suitable for use in technical vacuum.

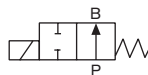
Circuit function A

2/2-way normally closed valve, direct acting,



Circuit function B

2/2-way normally open valve, direct acting,



Technical data	
Body material	Brass
Seal materials	NBR, FKM
Medium with NBR with FKM	Neutral liquids e.g. compressed air, water, hydraulic oil, oils and fats without additives, technical vacuum Hot air, per-solution, hot oil, oils with additives, technical Vacuum
Medium temperature with NBR with FKM	-10 up to +90 °C -10 up to +130 °C
Ambient temperature	Max. +50 °C
Viscosity	100 to 21 mm ² /s
Operating voltages on request	24/230 V 50 Hz 24/230 V UC 230 V UC Other Voltages
Voltage tolerance	±10%
Cycling rate	Max. 6/min with UC
Duty cycle	ED 100%
Electrical connection	Cable Plug (supplied as standard)
Protection class	IP65 with Cable Plug
Coil insulation class	H
Installation	As required, preferably with actuator upright
Response times [ms]: Opening Closing	Measured at valve outlet at 6 bar and +20°C. Pressure relief 0 90% Pressure relief 100 to 10%

Flow rate: Kv value water [m³/h]

Measured at +20 °C, 1 bar pressure at valve inlet and free outlet.

Pressure values [bar]

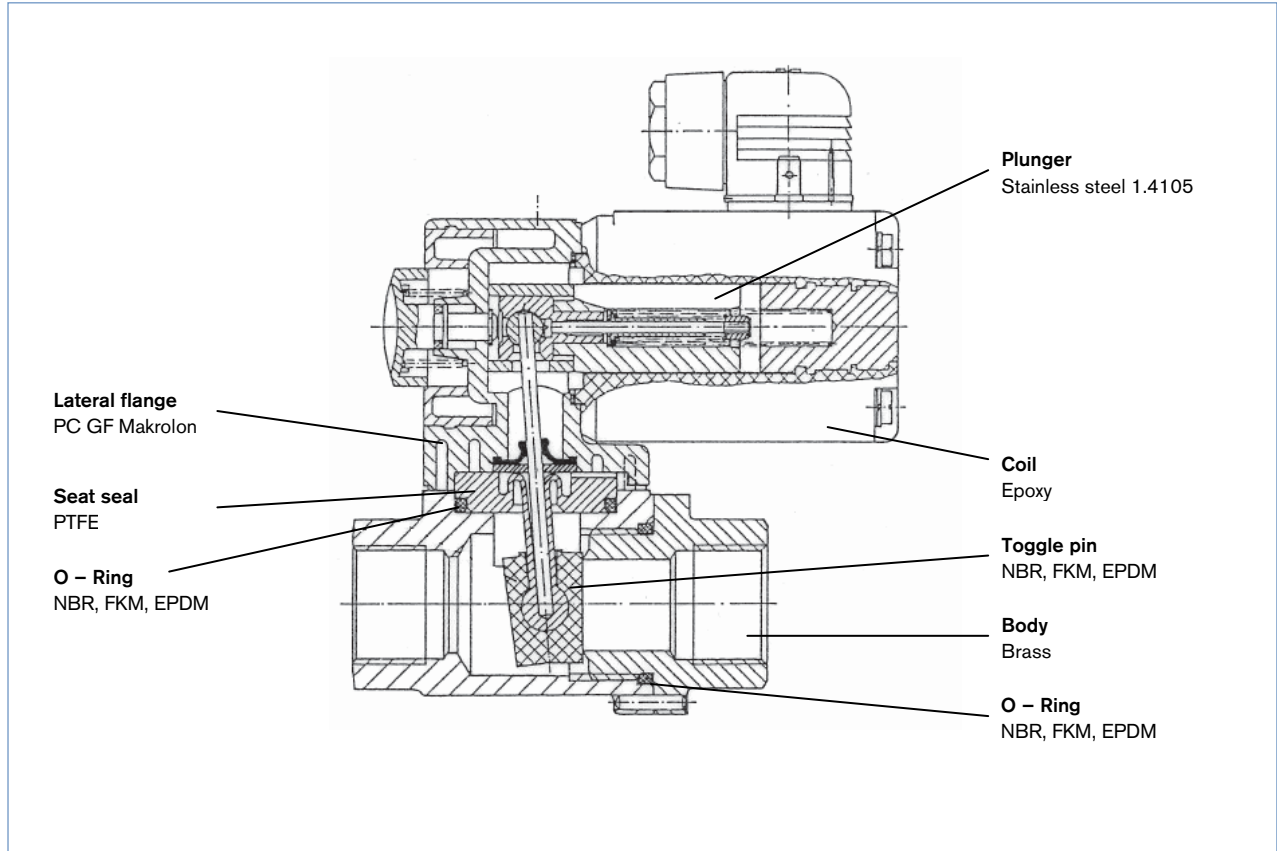
Measured as overpressure to the atmospheric pressure

Technical data (fort.)

Orifice [mm]	Kv value water [m ³ /h]	Port connection	Pressure range [bar]	Electrical power consumption		Response times		Weight [kg]	
				Inrush	[VA]	Opening	closed		
10	2.0	G 3/8	0-3	AC UC	100 VA 100 W	48 VA (16 W)9 W	10 to 20	40 to 60	1.4
15	4.5	G 1/2	0-1						
20	6.0	G 3/4	0-0.5 *						

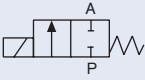
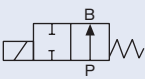
* not suitable for vakuu operations

Materials




Ordering chart for valves (other versions on request)

All valves with manual override, brass body, and with cable plug

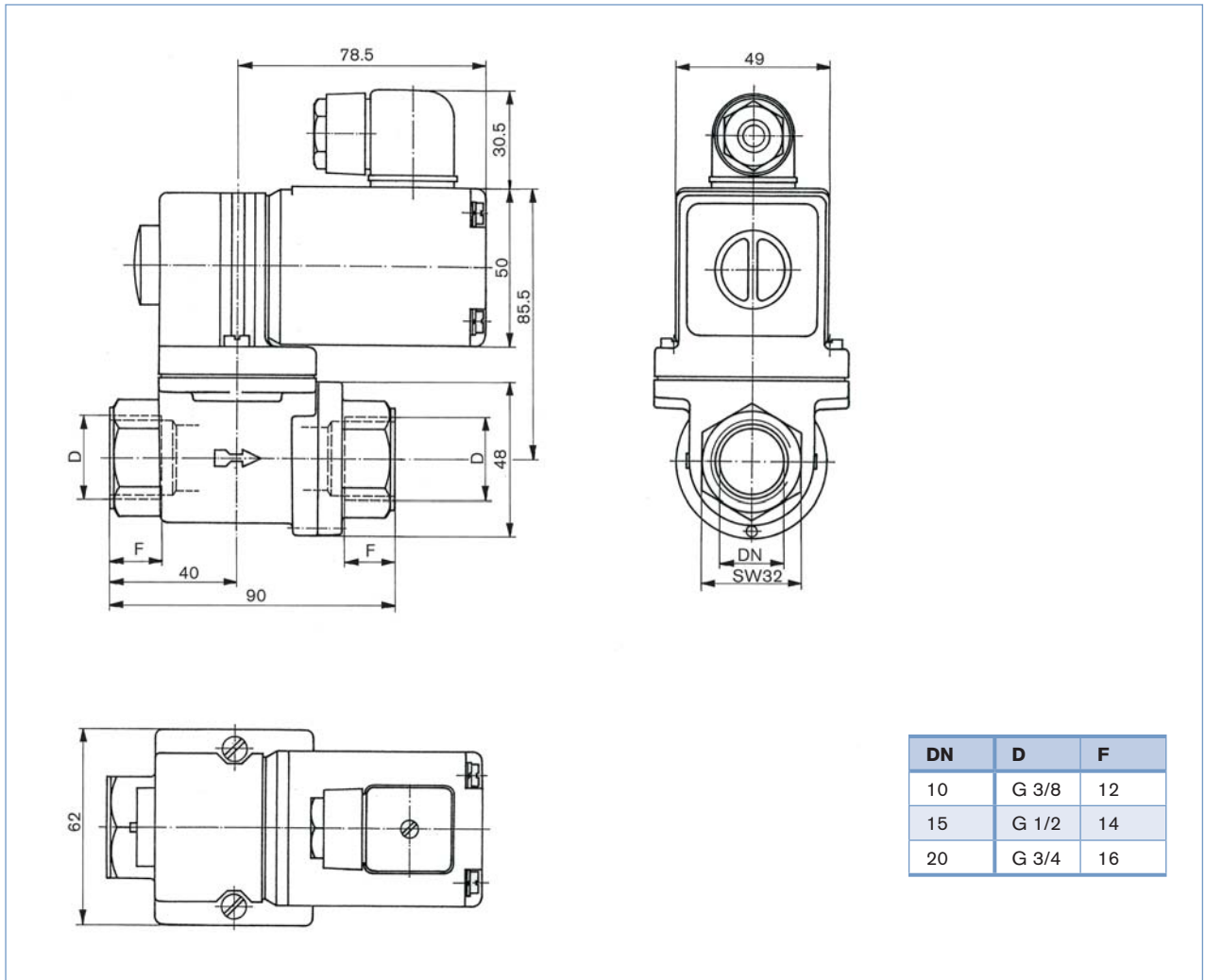
Circuit function	Orifice [mm]	Port connection	Kv value water [m ³ /h]	Pressure range [bar]	Seal material	Voltage/Frequency [V/Hz]	Item no.
A 	10	G 3/8	2.0	0-3	NBR	24/UC	057 475
						24/50	043 047
						230/50	053 059
					FKM	24/UC	054 053
						24/50	048 664
						230/50	044 502
	15	G 1/2	4.5	0-1	NBR	24/UC	054 102
						24/50	062 865
						230/50	052 221
					FKM	24/UC	025 537
						230/50	040 549
						230/50	040 549
20 *	G 3/4	6.0	0-0.5	NBR	24/UC	049 751	
					24/50	063 602	
					230/50	048 490	
				FKM	24/UC	069 752	
					24/50	048 662	
					230/50	048 622	
B 	10	G 3/8	2.0	0-2	NBR	24/UC	059 208
						230/50	051 685
						230/50	051 685
					FKM	24/UC	062 679
						230/50	057 458
						230/50	057 458
	15	G 1/2	4.5	0-1	NBR	24/UC	058 371
						230/50	046 466
						230/50	046 466
					FKM	24/UC	059 360
						230/50	122 747
						230/50	122 747
20 *	G 3/4	6.0	0-0.5	NBR	24/UC	050 461	
					230/50	053 807	
					230/50	053 807	
				FKM	24/UC	067 856	
					230/50	049 527	
					230/50	049 527	

* versions with orifice 20mm are not suitable for vacuum

 Further versions on request

 Electrical connection
with electrical position feedback

Dimensions [mm]



To find your nearest Bürkert facility, click on the orange box →

www.burkert.com

In case of special application conditions,
please consult for advice.

Subject to alterations
© Christian Bürkert GmbH & Co. KG

0905/1_EU-en_00895106