



Type 6027 Compact can be combined with...



Type 2508
Cable plug



Type 1078
Timer unit



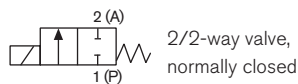
Type 2511
ASI cable plug

2/2-way Compact Solenoid Valve, G 1/4 - G 1/2

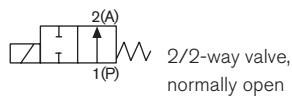
- Direct-acting, normally closed
- Brass and stainless steel body
- Electrical connection cable plug Form A
- High pressure version up to 100 bar
- High temperature version up to +180 °C

Type 6027 is a direct-acting solenoid valve used for shut-off, dosing, filling, and ventilation. The push-over solenoid system is of modular design and the coil can be rotated 360°.

Circuit function A



Circuit Function B



Technical data	
Port connection	G 1/4, G 3/8, G 1/2 (NPT and RC on request)
Orifice	DN 2.0 - 12.0
Body material	Brass or stainless steel 1.4404 (316L)
Coil material	Epoxy
Coil insulation class	Epoxy class H
Seal material	FKM, PTFE/FKM and PTFE/PEEK for high temperature versions (EPDM on request)
Medium	Vacuum, neutral gases and liquids (e.g. compressed air, town gas, natural gas, water, hydraulic oil, petrol) and slightly aggressive medium (stainless steel version) Hot fluids and steam (only with stainless steel body)
High temperature version	
Medium temperature	
Seal material FKM, PTFE/FKM	-10 to +140°C (normally closed) -10 to +100°C (normally open)
Seal material PTFE/PEEK	-40 to +180 °C
Ambient temperature	-10 to +55°C
Viscosity	max. 21 mm ² /s
Voltages	24 V DC, 24 V/50 Hz, 230 V/50 Hz
Voltage tolerance	±10%
Duty cycle / single valve	100 % continuous operation
Electrical connection	According to DIN EN 175301-803 Form A for cable plug Type 2508 (see Ordering chart for accessories)
Protection class	IP65 with Cable Plug
Installation	As required, preferably with actuator in upright position

Technical data (cont.)

Power consumption				
Orifice [mm]	Power consumption			DC (hot/cold coil) [W]
	Inrush AC [VA]	Hold AC (hot coil) [VA]	[W]	
2.0-12.0	105	37	16	16 / 21

Response times				
Orifice [mm]	Response times AC		Response times DC	
	Opening [ms]	Closing [ms]	Opening [ms]	Closing [ms]
2.0-12.0	10-20	20-30	20-80	20-30

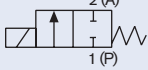


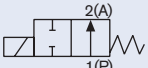


Response times [ms]:

Measured at valve outlet at 6 bar and +20°C.

Opening: pressure build-up 0 to 90% Closing: Pressure relief 100 to 10%

Ordering chart for valves with brass or stainless steel body, standard temperature version

Valves with AC19 coil (42 mm), seal material FKM, without cable plug

Circuit function	Port connection	Orifice [mm]	Kv value water [m ³ /h] ¹⁾	Pressure range [bar] ²⁾ for liquid and gaseous medium		Item no.				
				DC	AC	024/DC	024/50	230/50		
A 2/2-way valve NC 	Seal material FKM, medium temperature -10 to +140°C									
	Brass body									
		Threaded port	G 1/4	3.0	0.28	0-30	0-25	178 295	178 296	178 297
				4.0	0.54	0-12	0-16	178 299	178 300	178 301
				5.0	0.73	0-6	0-10	178 303	178 304	178 305
				6.0	0.95	0-3	0-6	178 307	178 308	178 309
		G 3/8	3.0	0.28	0-30	0-25	178 311	178 312	178 313	
			4.0	0.54	0-12	0-16	178 315	178 316	178 317	
			5.0	0.73	0-6	0-10	178 319	178 320	178 321	
			6.0	0.95	0-3	0-6	178 323	178 324	178 325	
		G 1/2	3.0	0.28	0-30	0-25	178 311	178 312	178 313	
			4.0	0.54	0-12	0-16	178 315	178 316	178 317	
			5.0	0.73	0-6	0-10	178 319	178 320	178 321	
			6.0	0.95	0-3	0-6	178 323	178 324	178 325	
		Stainless steel 1.4404 (316L)								
		Threaded port	G 1/4	3.0	0.28	0-30	0-25	178 239	178 240	178 241
				4.0	0.54	0-12	0-16	178 243	178 244	178 245
				5.0	0.73	0-6	0-10	178 247	178 248	178 249
				6.0	0.95	0-3	0-6	178 251	178 252	178 253
		G 3/8	3.0	0.28	0-30	0-25	178 255	178 256	178 257	
			4.0	0.54	0-12	0-16	178 259	178 260	178 261	
			5.0	0.73	0-6	0-10	178 263	178 264	178 265	
			6.0	0.95	0-3	0-6	178 267	178 268	178 269	
		G 1/2	3.0	0.28	0-30	0-25	178 255	178 256	178 257	
4.0			0.54	0-12	0-16	178 259	178 260	178 261		
5.0			0.73	0-6	0-10	178 263	178 264	178 265		
6.0	0.95		0-3	0-6	178 267	178 268	178 269			
B 2/2-way valve NO 	Brass body									
		G1/4	3	0.28	0-16		211 914	228 487	228 488	
			4	0.54	0-10		208 623	228 489	228 490	
			6	0.95	0-6		211 915	■	■	
		G1/2	8	1.6	0-3		211 916	228 503	228 504	
			10	1.8	0-2		210 436	219 530	210 438	
			Stainless steel							
		G1/4	3	0.28	0-16		230 243	230 244	230 245	
			4	0.54	0-10		230 246	230 247	230 248	
		G3/8	6	0.95	0-6		230 255	230 256	230 257	
			8	1.6	0-3		230 261	230 262	230 263	
		G1/2	10	1.8	0-2		225 248	230 264	230 265	

¹⁾ Measured at +20 °C, 1 bar²⁾ pressure at valve inlet and free outlet²⁾ Measured as overpressure to the atmospheric pressure

■ on request

Please note that the cable plug has to be ordered separately, see accessories on page 5 and separate datasheet for Type 2508.

Further versions on request

Materials
Seal material EPDM, PTFE

Port connection
NPT, RC

Voltage
Non-standard voltages

Approvals
ATEX

Pressure
Higher pressures for gaseous medium

Additional
Oxygen versions

Ordering chart for valves with brass body, standard temperature and high pressure version

All valves with AC19 coil (42 mm), seal material PTFE/FKM, without Cable Plug

Circuit function	Port connection	Orifice [mm]	Kv value water [m ³ /h] ¹⁾	Pressure range [bar] ²⁾ for liquid and gaseous medium			Item no. per voltage/frequency [V/Hz]			
				DC for liquid and gaseous medium	AC		024/DC	024/50	230/50	
					Liquids	Gaseous medium				
A 2/2-way valve NC 	Seal material PTFE/FKM, medium temperature -10 to +140°C									
	Brass body									
	Threaded port 	G 1/4	2.0	0.14	0-80	0-75	0-80	184 667	■	184 668
			4.0	0.54	0-20	0-30	0-50	184 670	■	184 671
			6.0	0.95	0-5	0-12		184 674	■	184 675
		G 3/8	6.0	0.95	0-5	0-12		184 677	■	184 678
			8.0	1.6	0-1	0-5		184 680	■	184 681
			8.0	1.6	0-1	0-5		184 683	■	184 684
		G 1/2	10.0	1.8	0-0.4	0-2	0-3	184 686	■	184 687

¹⁾ Measured at +20 °C, 1 bar²⁾ pressure at valve inlet and free outlet
²⁾ Measured as overpressure to the atmospheric pressure

■ on request

Please note that the cable plug has to be ordered separately, see accessories on page 5 and separate datasheet for Type 2508.

Ordering chart valves with stainless steel body, also for high temperatures and high pressure

All valves with AC19 coil (42 mm), seal material PTFE/PEEK, without Cable Plug

Circuit function	Port connection	Orifice [mm]	Kv value water [m ³ /h] ¹⁾	Pressure range [bar] ²⁾ for liquid and gaseous medium			Item no. per voltage/frequency [V/Hz]			
				DC for liquid and gaseous medium	AC		024/DC	024/50	230/50	
					Liquids	Gaseous medium				
A 2/2-way valve NC 	Seal material PTFE/PEEK, also for high temperatures up to +180°C									
	Stainless steel body									
	Threaded port 	G 1/4	2.0	0.14	0-100	0-75	0-100	184 689	■	184 690
			4.0	0.54	0-20	0-30	0-50	184 692	■	184 693
			6.0	0.95	0-5	0-12		184 695	■	184 696
		G 3/8	6.0	0.95	0-5	0-12		184 695	■	184 696
			8.0	1.6	0-1	0-5		184 698	■	184 699
			10.0	1.8	0-0.4	0-2	0-3	184 701	■	184 702
		G 1/2	12.0	2.0	0-0.2	0-1.2	0-2	184 704	■	184 705

¹⁾ Measured at +20 °C, 1 bar²⁾ pressure at valve inlet and free outlet
²⁾ Overpressure with respect to atmospheric pressure

■ on request

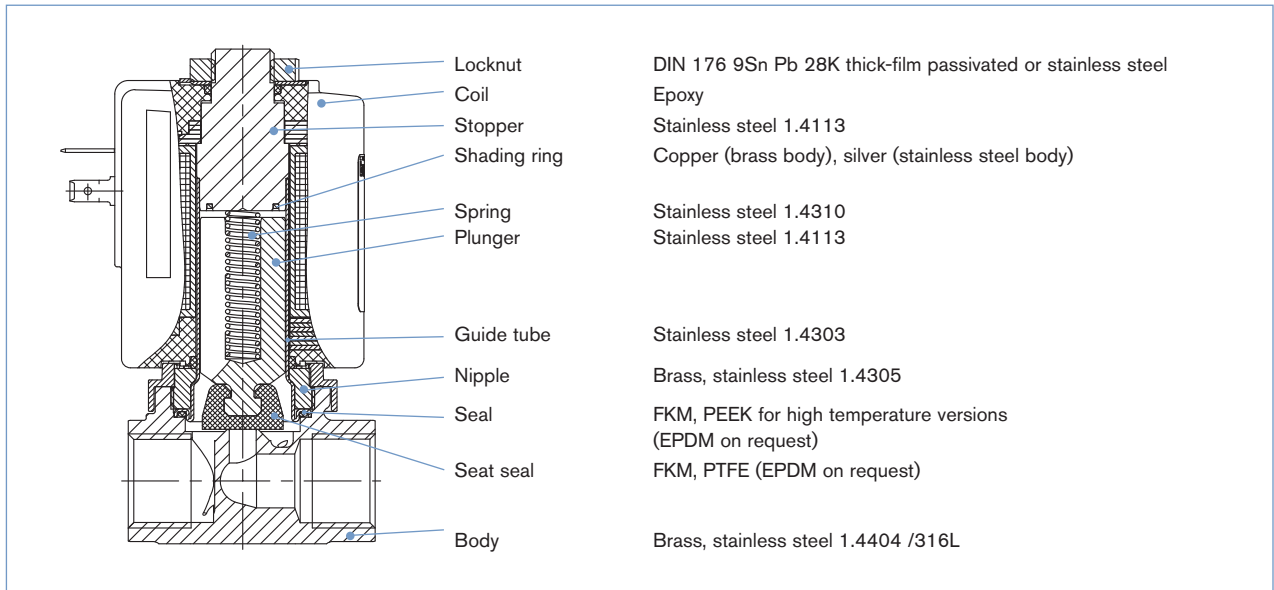
Please note that the cable plug has to be ordered separately, see accessories on page 5 and separate datasheet for Type 2508.

i Further versions on request

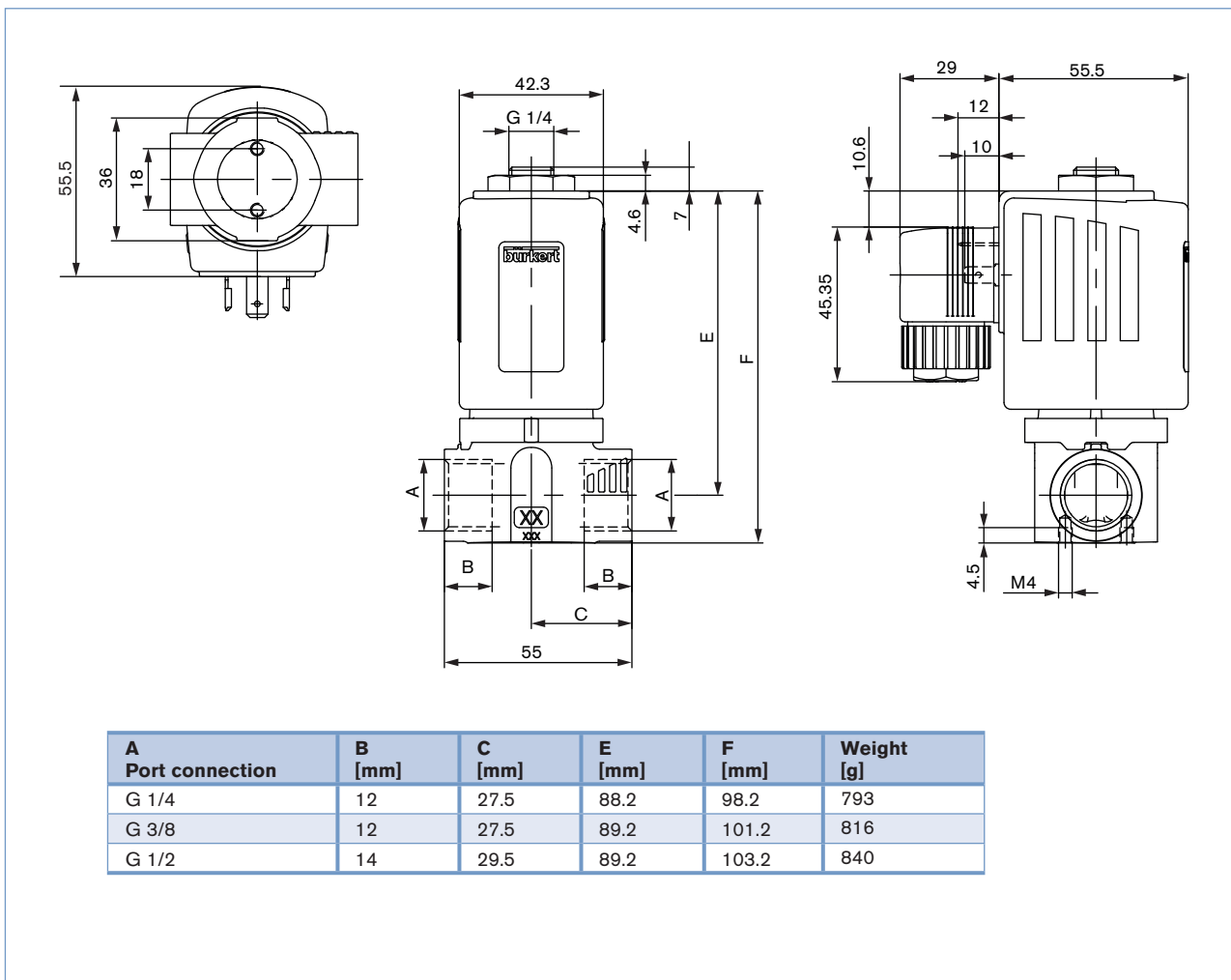
- Materials**
Seal material EPDM, PTFE
- Port connection**
NPT, RC
- Voltage**
Non-standard voltages
- Approvals**
ATEX
- Pressure**
Higher pressures for gaseous medium
- Additional**
Oxygen versions

DTS 1000089742 EN Version: L Status: RL (released | freigegeben | valide) printed: 06.05.2014

Materials




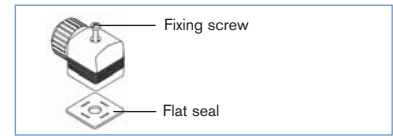
Dimensions [mm]



Ordering chart accessories

Cable plug Type 2508 according to DIN EN 175301-803 Form A

	Circuit	Voltage/ Frequency	Item no.
	without (Standard)	0 - 250 V AC/DC	008 376
	with LED	12 - 24 V AC/DC	008 360
	with LED and varistor	12 - 24 V AC/DC	008 367
	with rectifier, LED and varistor	12 - 24 V AC/DC	008 363
	with LED	200- 240V	008 362
	with LED and varistor	200- 240V	008 369
further versions see datasheet Type 2508			



Included in delivery is a connector with flat seal and fixing screw. For other cable plug versions according to DIN EN 175301-803 (previously DIN 43650) Form A, see separate datasheet for Type 2508. When you click on the orange box "More info." below, you will come to our website for the resp. product where you can download the datasheet.

**More
info.**

To find your nearest Bürkert facility, click on the orange box →

www.burkert.com